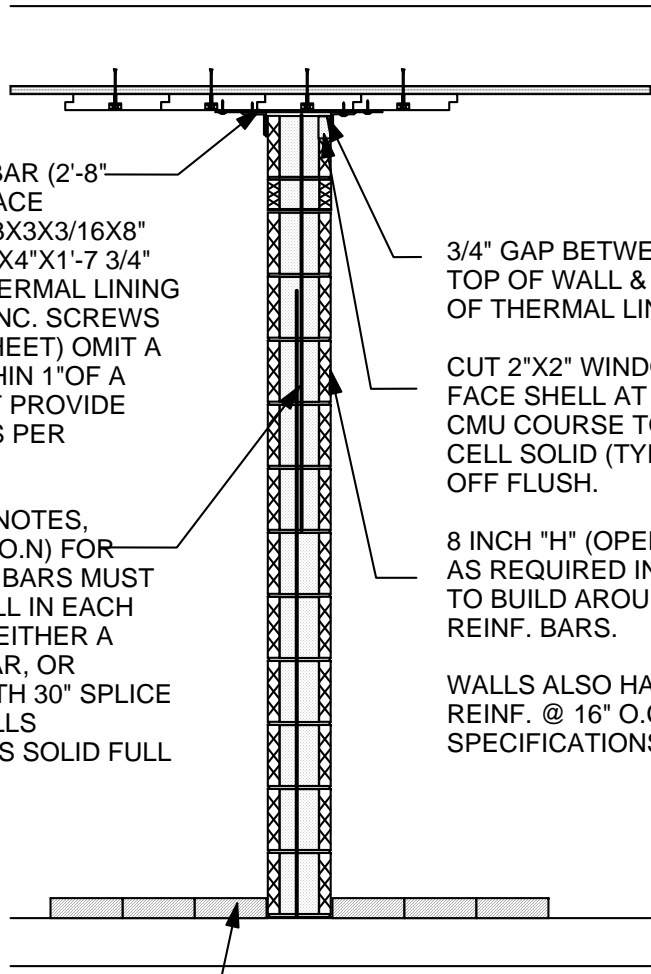


AT EACH VERT. REINF. BAR (2'-8" O.C. MAX), PROVIDE BRACE ASSEMBLY OF (2) S.S. L3X3X3/16X8" LONG & (1) S.S. PL. 3/16"X4"X1'-7 3/4" LONG ATTACHED TO THERMAL LINING TILES W/ (4) #14 S.S. CONC. SCREWS (SEE DETAIL ON THIS SHEET) OMIT A SCREW IF IT FALLS WITHIN 1" OF A TILE JOINT, BUT DO NOT PROVIDE FEWER THAN 3 SCREWS PER ASSEMBLY.

WALL REINF. PER GEN. NOTES, CENTERED IN CELLS (U.O.N) FOR FULL HEIGHT OF WALL. BARS MUST EXTEND TO TOP OF WALL IN EACH REINF. CELL. PROVIDE EITHER A SINGLE FULL HEIGHT BAR, OR PROVIDE TWO BARS WITH 30" SPLICE AS SHOWN. GROUT CELLS CONTAINING VERT. BARS SOLID FULL HEIGHT.

LOOSE LAID FIRE BRICK PLACED FLUSH AGAINST CMU (TYP) U.O.N.

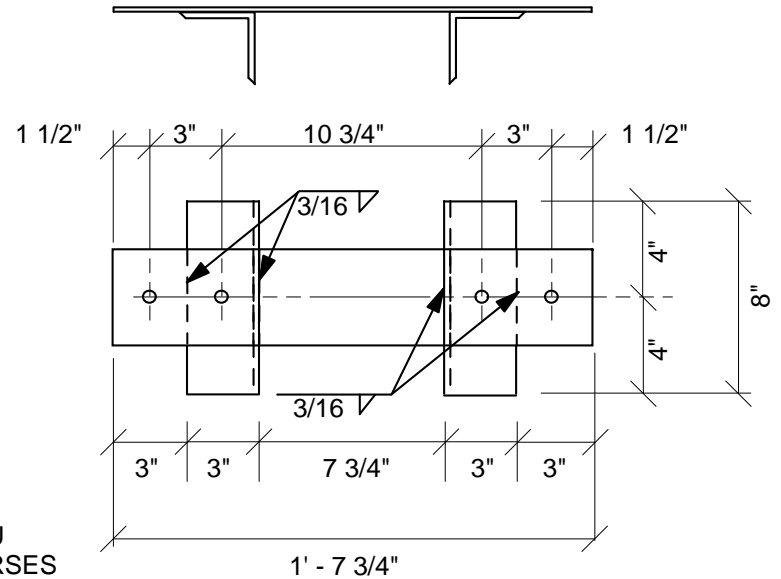


3/4" GAP BETWEEN TOP OF WALL & BOTTOM OF THERMAL LINING.

CUT 2"X2" WINDOW IN FACE SHELL AT TOP OF CMU COURSE TO GROUT CELL SOLID (TYP). STRIKE OFF FLUSH.

8 INCH "H" (OPEN END) CMU AS REQUIRED IN TOP COURSES TO BUILD AROUND VERT. REINF. BARS.

WALLS ALSO HAVE HORIZONTAL REINF. @ 16" O.C. PER SPECIFICATIONS.



WALL BRACING ASSEMBLY
Scale: 1 1/2" = 1'-0"

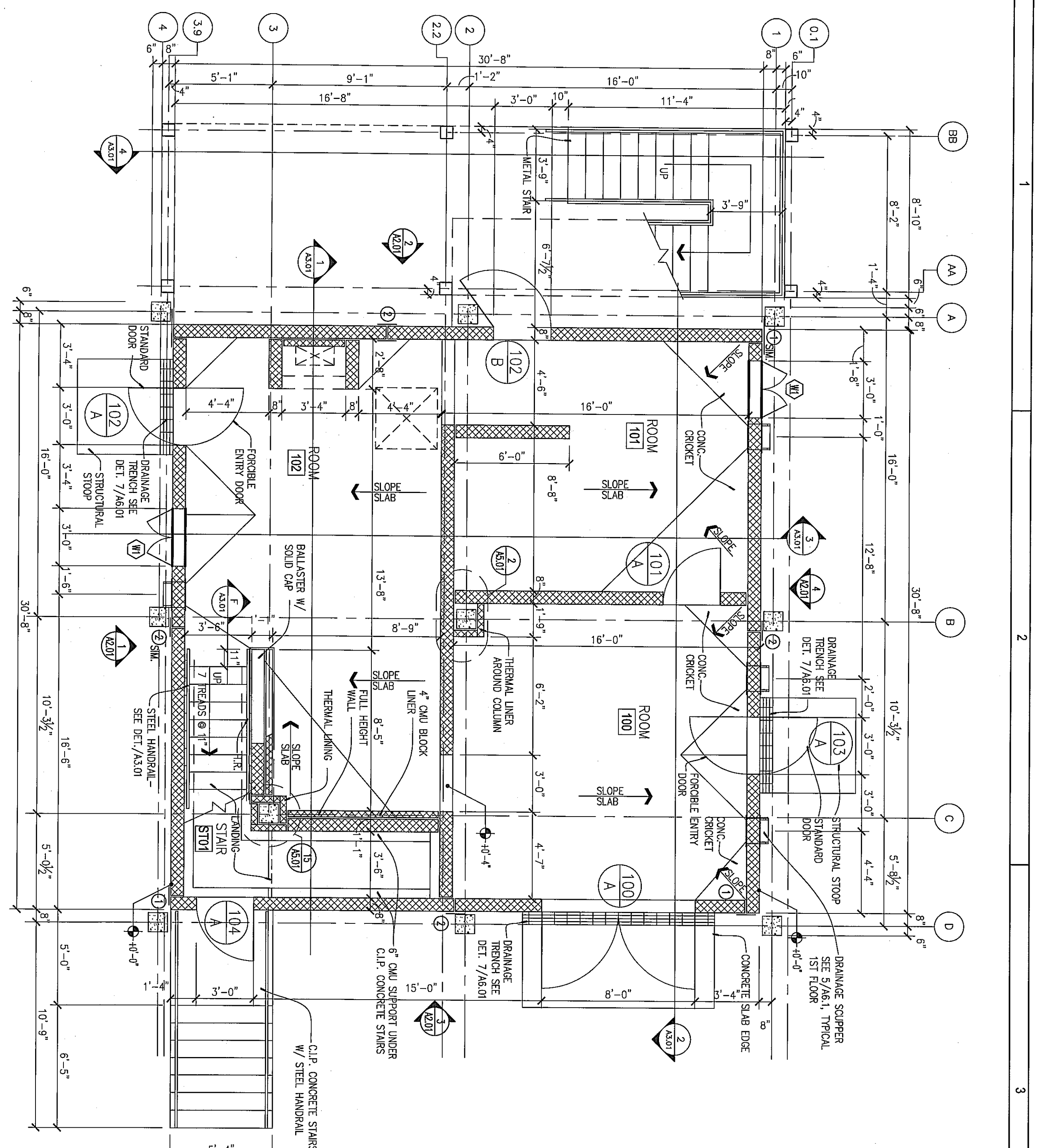
Scale: 1 1/2" = 1'-0"

HIGH TEMPERATURE LININGS

INTERIOR WALL REINF / BRACING

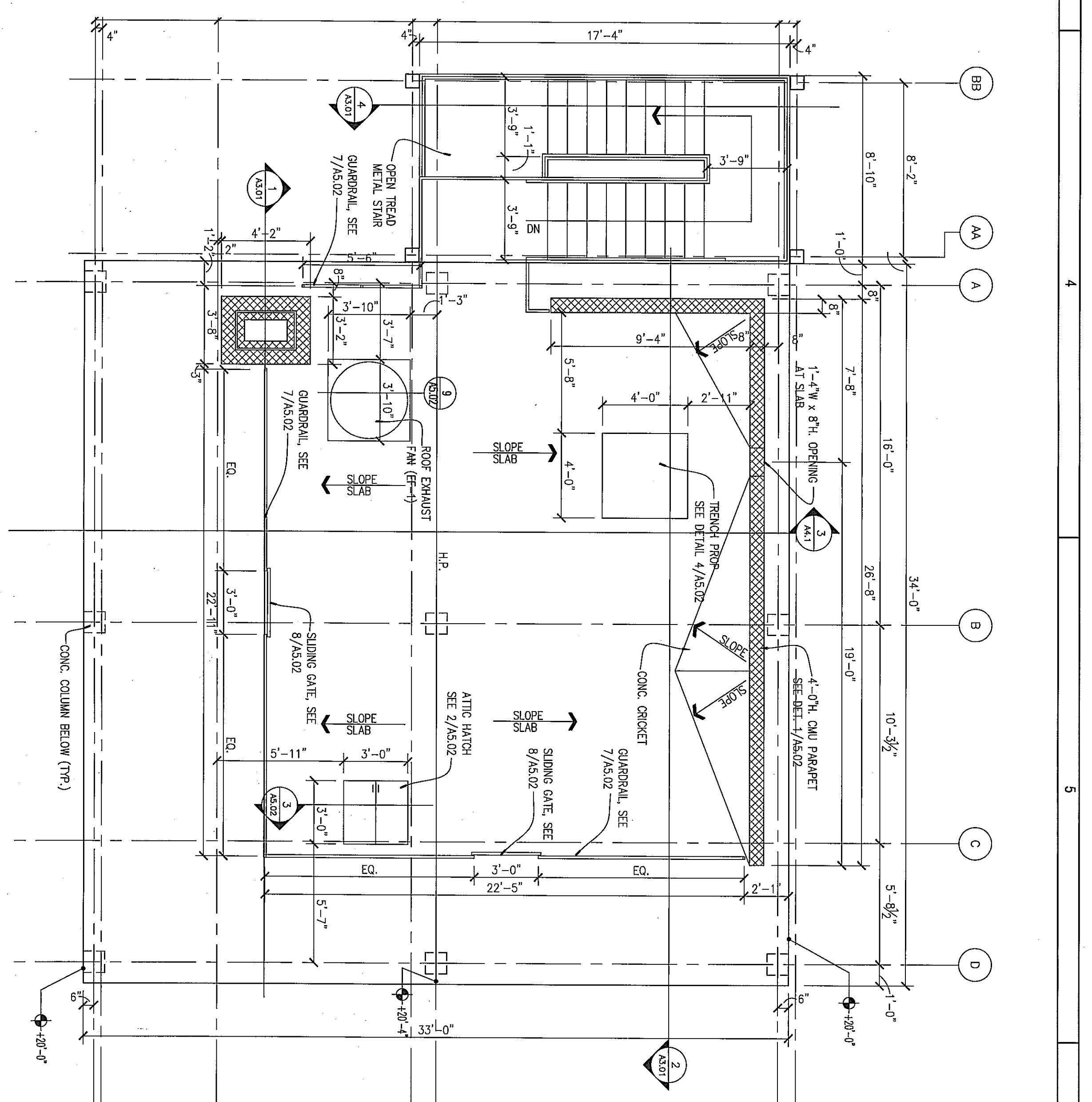
2014

Prepared by High Temperature Linings
P. O. Box 1240, White Stone, VA 22578
800-411-6313 / www.firetrain.com



FIRST FLOOR PLAN
 1/4" = 1'-0"

- KEYNOTES:**
- 1 1/2" OPEN JOINT SEE DET. 9/A5.01
 - 2 1/2" OPEN JOINT SEE DET. 4/A5.01
 - 3 1/2" OPEN JOINT SEE DET. 5/A5.01
 - 4 1/2" OPEN JOINT SEE DET. 6/A5.01



ROOF PLAN
 1/4" = 1'-0"

ROOM FINISH SCHEDULE

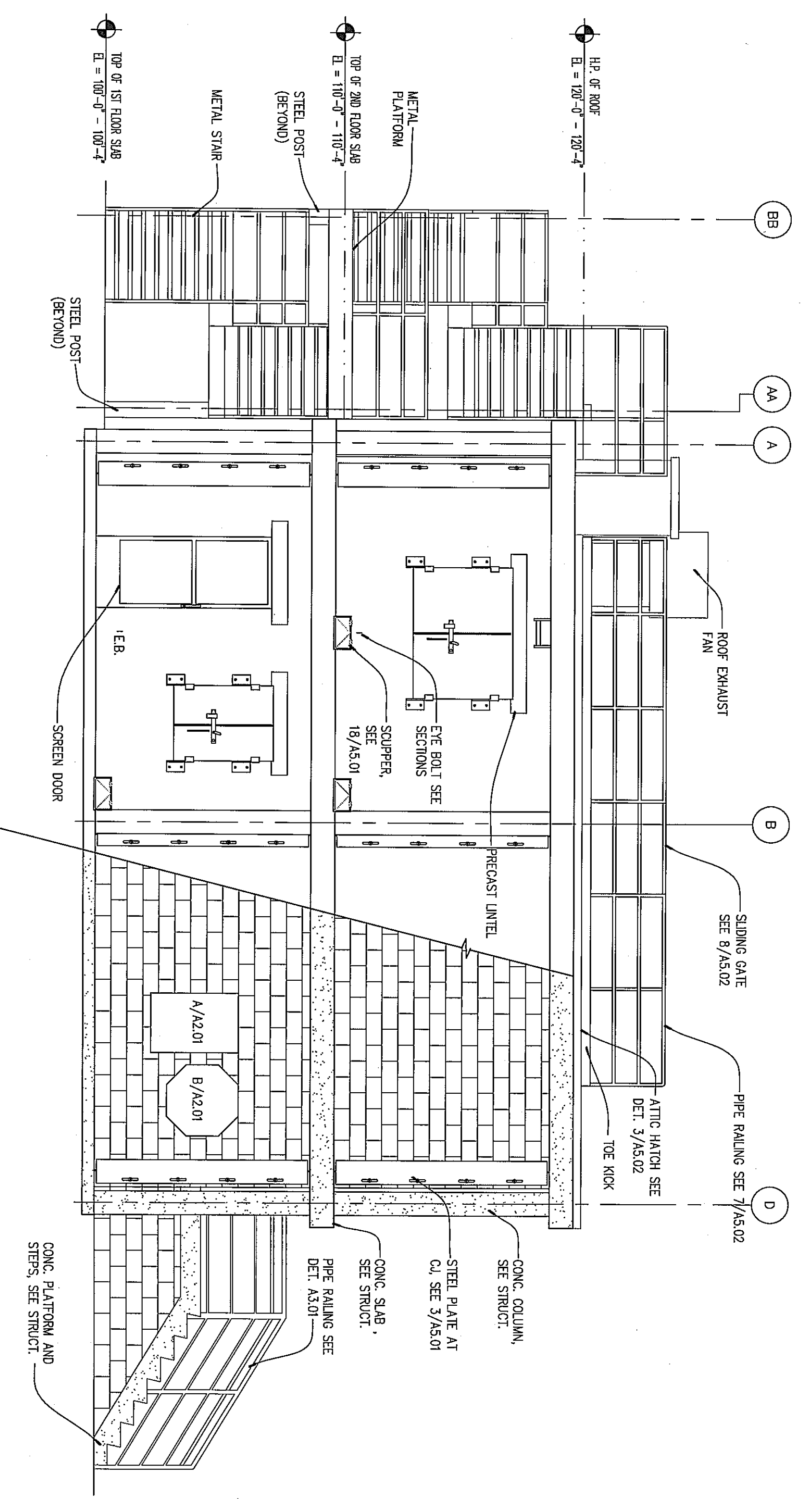
ROOM NO.	ROOM NAME	FLOOR	BASE	WALLS	CEILING	REMARKS
100	CLASS ROOM	CONCRETE	CONCRETE BLOCK	THERMAL LINING	8'-3"	
101	CLASS ROOM	CONCRETE	CONCRETE BLOCK	THERMAL LINING	8'-3"	
102	CLASS ROOM	CONCRETE	CONCRETE BLOCK	THERMAL LINING	8'-3"	
103	CLASS ROOM	CONCRETE	CONCRETE BLOCK	THERMAL LINING	8'-3"	
200	CLASS ROOM	CONCRETE	CONCRETE BLOCK	THERMAL LINING	8'-3"	
201	CLASS ROOM	CONCRETE	CONCRETE BLOCK	THERMAL LINING	8'-3"	
202	CLASS ROOM	CONCRETE	CONCRETE BLOCK	THERMAL LINING	8'-3"	
203	CLASS ROOM	CONCRETE	CONCRETE BLOCK	THERMAL LINING	8'-3"	

DOOR AND FRAME SCHEDULE

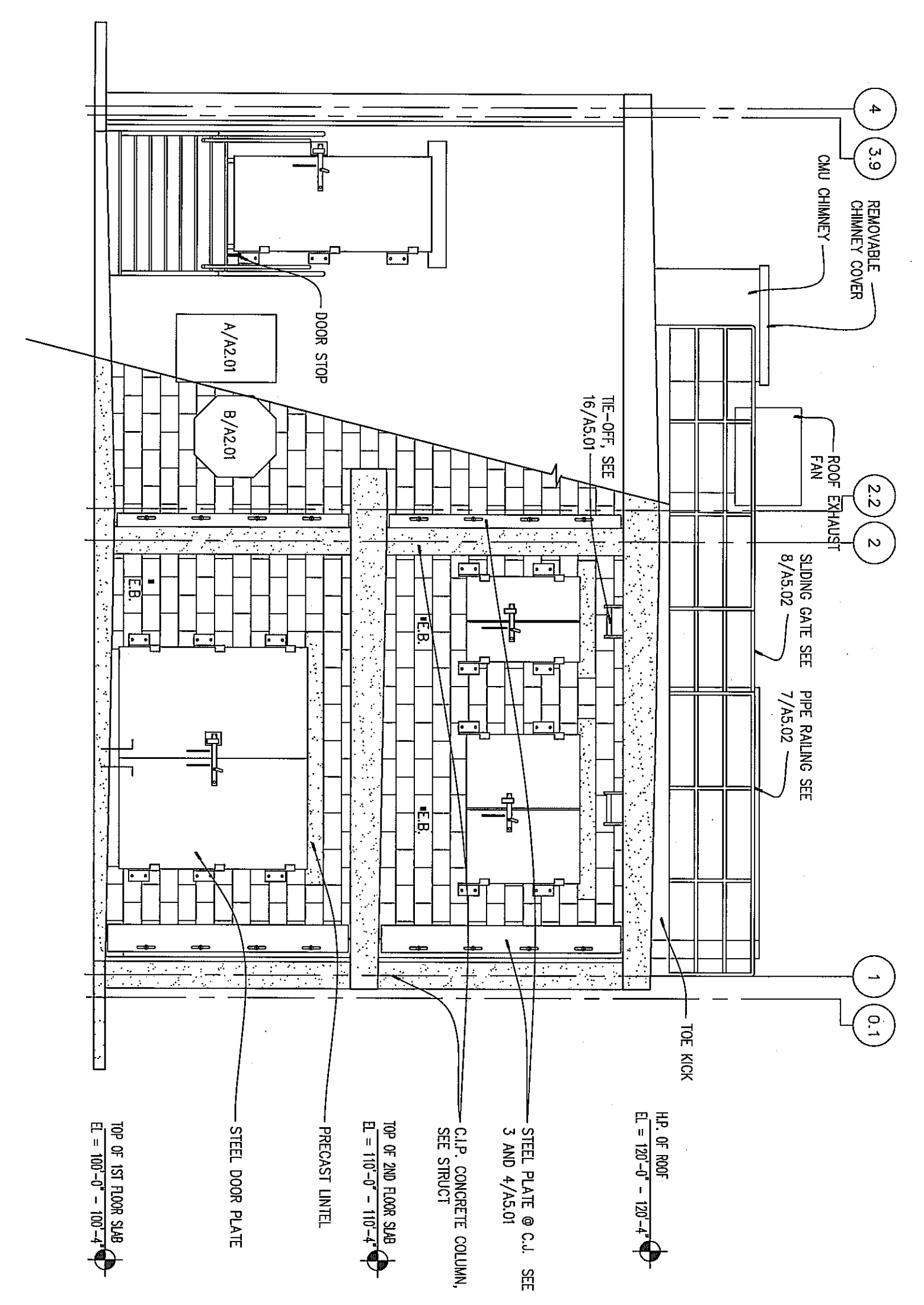
NO.	TYPE	WD	HT	THK	MATERIAL	GLAZING	TYPE	MANT	FRAME			FIRE RATING LABEL	HDMR SET	REMARKS
									HEAD	JAMB	SILL			
100/A	A	3'-0"	8'-0"	1 1/2"	---	---	---	---	3/4" x 6" SI	1 1/2" x 6" SI	2" x 4" SI	---	---	FRAMING LATER SUBJECT TO 5/A7.2
101/A	A	3'-0"	8'-0"	1 1/2"	---	---	---	---	3/4" x 6" SI	1 1/2" x 6" SI	1 1/2" x 6" SI	---	---	FRAMING LATER SUBJECT TO 5/A7.2
102/A	A	3'-0"	8'-0"	1 1/2"	---	---	---	---	3/4" x 6" SI	1 1/2" x 6" SI	1 1/2" x 6" SI	---	---	FRAMING LATER SUBJECT TO 5/A7.2
103/A	A	3'-0"	8'-0"	1 1/2"	---	---	---	---	3/4" x 6" SI	1 1/2" x 6" SI	1 1/2" x 6" SI	---	---	FRAMING LATER SUBJECT TO 5/A7.2
200/A	A	3'-0"	8'-0"	1 1/2"	---	---	---	---	3/4" x 6" SI	1 1/2" x 6" SI	1 1/2" x 6" SI	---	---	FRAMING LATER SUBJECT TO 5/A7.2
201/A	A	3'-0"	8'-0"	1 1/2"	---	---	---	---	3/4" x 6" SI	1 1/2" x 6" SI	1 1/2" x 6" SI	---	---	FRAMING LATER SUBJECT TO 5/A7.2
202/A	A	3'-0"	8'-0"	1 1/2"	---	---	---	---	3/4" x 6" SI	1 1/2" x 6" SI	1 1/2" x 6" SI	---	---	FRAMING LATER SUBJECT TO 5/A7.2
203/A	A	3'-0"	8'-0"	1 1/2"	---	---	---	---	3/4" x 6" SI	1 1/2" x 6" SI	1 1/2" x 6" SI	---	---	FRAMING LATER SUBJECT TO 5/A7.2

GENERAL NOTES:
 1. SEE SHEET A6.01 FOR DOOR TYPES AND DETAILS.

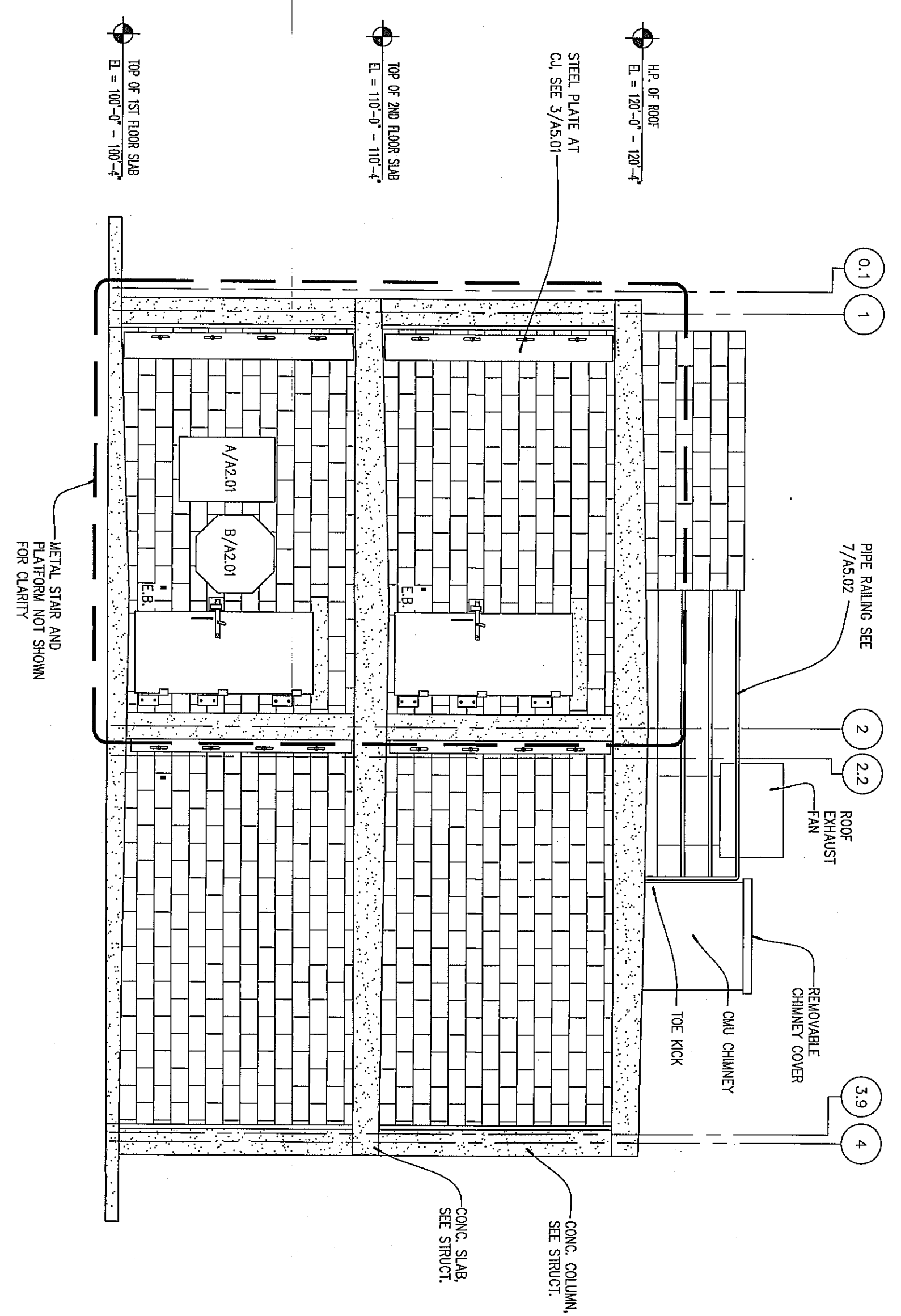
<p>CONSULTANTS</p> <p>L. Robert Kimball & Associates Architects and Engineers, Inc. 615 West Highland Ave. Ebensburg, PA 15931 phone (814) 472-7700 fax (814) 472-7712 email rckimball@kimball.com web site www.lrkimball.com</p>	<p>PROJECT NAME:</p> <p>WESTMORELAND COUNTY COMMUNITY COLLEGE CLASS A BURN BUILDING</p> <p>OWNER:</p> <p>WESTMORELAND COUNTY COMMUNITY COLLEGE YOUNGWOOD, PA 15887</p>	<p>PROFESSIONAL</p> <p>MARK DATE DESCRIPTION</p> <p>05 / 02 / 07 ISSUE</p> <p>07-2290-0175 PROJECT NO.</p> <p>CAD DWG FILE: XXXXXXXX.dwg</p> <p>DRAWN BY: AKLE</p> <p>CHECKED BY: DG</p> <p>© L. Robert Kimball & Associates Architects and Engineers, Inc.</p> <p>SHEET TITLE</p> <p>FIRST FLOOR PLAN, SECOND FLOOR PLAN, ROOF PLAN AND SCHEDULES</p> <p style="font-size: 2em; font-weight: bold;">A1.01</p>
--	---	---



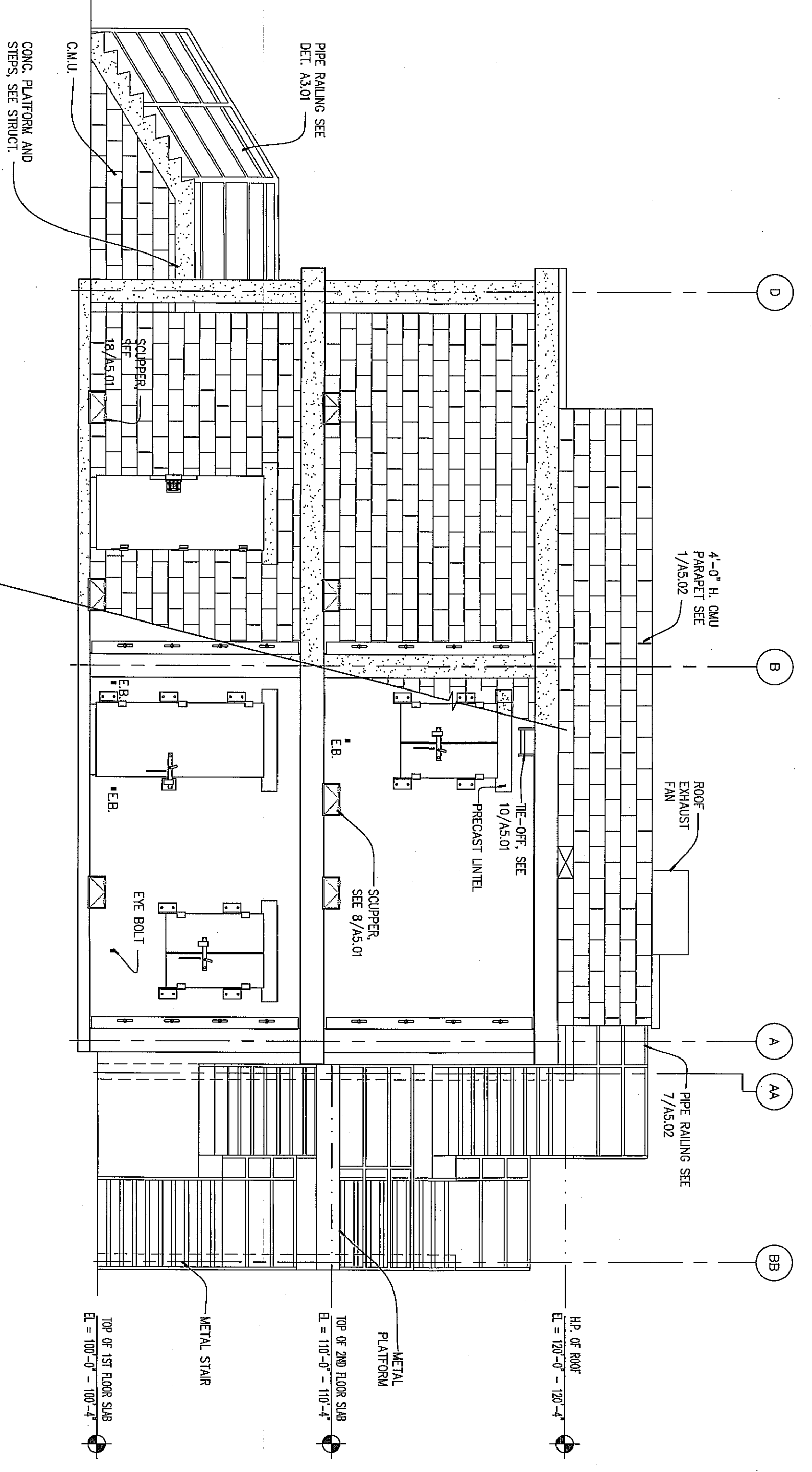
1 SOUTH ELEVATION
 1/4" = 1'-0"



3 EAST ELEVATION
 1/4" = 1'-0"



2 WEST ELEVATION
 1/4" = 1'-0"



4 NORTH ELEVATION
 1/4" = 1'-0"

LIVE FIRE TRAINING DESIGN CRITERIA

THE BUILDING HAS BEEN DESIGNED FOR THE FOLLOWING CRITERIA

1. MAXIMUM NUMBER OF LIVE FIRE TRAINING DAYS PER YEAR = 10
2. MAXIMUM NUMBER OF STUDENTS PER TRAINING SESSION = 20
3. MAXIMUM NUMBER OF STUDENTS PER TRAINING SESSION = 20
4. MAXIMUM NUMBER OF STUDENTS PER TRAINING SESSION = 20
5. MAXIMUM NUMBER OF STUDENTS PER TRAINING SESSION = 20
6. MAXIMUM NUMBER OF STUDENTS PER TRAINING SESSION = 20
7. MAXIMUM NUMBER OF STUDENTS PER TRAINING SESSION = 20
8. MAXIMUM NUMBER OF STUDENTS PER TRAINING SESSION = 20
9. MAXIMUM NUMBER OF STUDENTS PER TRAINING SESSION = 20
10. MAXIMUM NUMBER OF STUDENTS PER TRAINING SESSION = 20

ATTENTION:

ALL LIVE FIRE TRAINING IN THIS BUILDING MUST BE IN COMPLIANCE WITH CURRENT NFPA 1403 STANDARDS

WESTMORELAND COUNTY COMMUNITY COLLEGE

RED BORDER
 TEXT SHALL BE BLACK
 TEXT SHALL BE RED
 TEXT SHALL BE WHITE (TYP)

BACKGROUND - RED
 BORDER - WHITE

A USE CRITERIA ALUMINUM SIGNAGE
 1/2" = 1'-0"

B NFPA 1403 ALUMINUM SIGNAGE
 1/2" = 1'-0"

Kimball
 L. Robert Kimball & Associates
 Architects and Engineers, Inc.
 615 West Highland Ave.
 Ebensburg, PA 15931
 phone (814) 472-7700
 fax (814) 472-7712
 email oed@kimball.com
 web site www.kimball.com

PROJECT NAME
 WESTMORELAND COUNTY COMMUNITY COLLEGE CLASS A BURNN BUILDING

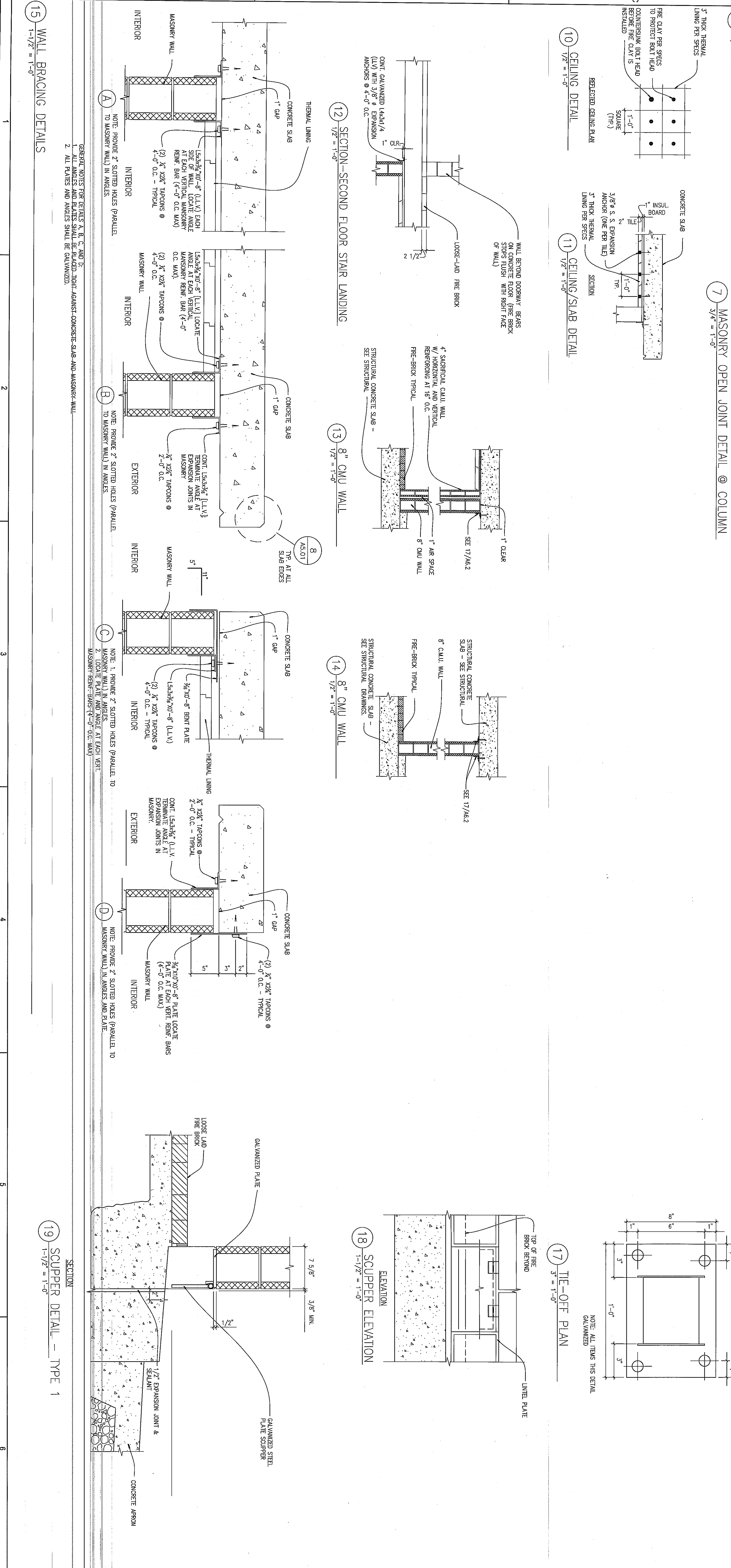
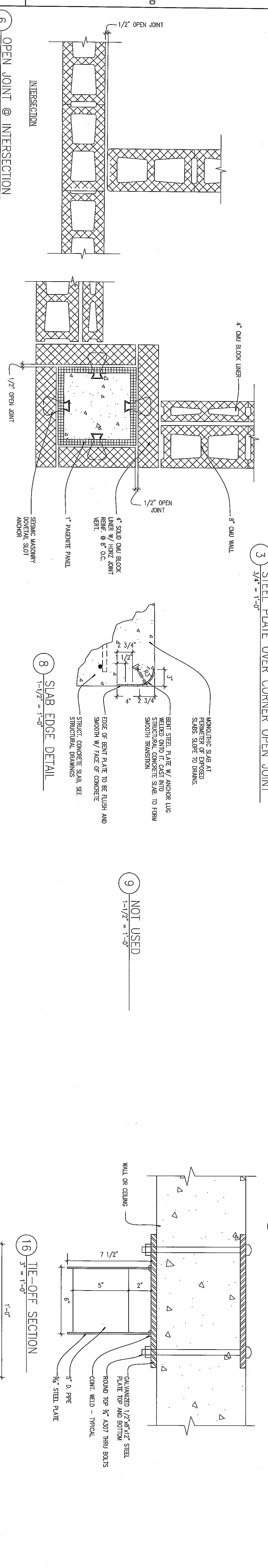
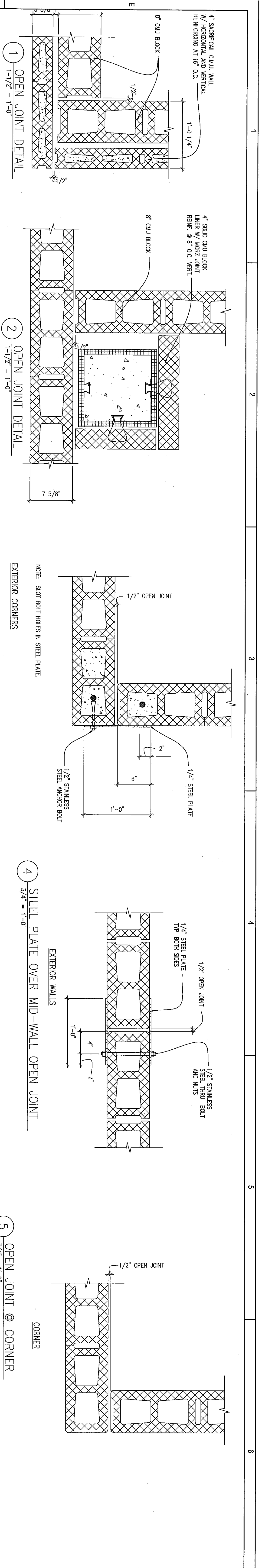
OWNER
 WESTMORELAND COUNTY COMMUNITY COLLEGE
 YOUNGWOOD, PA 15897

KEEP PLAN

MARK	DATE	DESCRIPTION
ISSUE	05 / 02 / 07	
PROJECT NO.	07-2200-0175	
CAD DWG FILE	XXXXXXXX.dwg	
DRAWN BY	AKILE	
CHECKED BY	DG	

© L. Robert Kimball & Associates
 Architects and Engineers, Inc.

SHEET TITLE
 BUILDING ELEVATIONS



Kimball
 L. Robert Kimball & Associates
 Architects and Engineers, Inc.
 615 West Highland Ave.
 Ebensburg PA 15931
 phone (814) 472-2700
 fax (814) 472-7712
 email oakledge@kimball.com
 web site www.kimball.com

CONSULTANTS
 PROFESSIONAL
 PROJECT NAME:

WESTMORELAND COUNTY COMMUNITY COLLEGE CLASS A BURN BUILDING
 OWNER: WESTMORELAND COUNTY COMMUNITY COLLEGE
 YOUNGWOOD, PA 15897

MARK DATE DESCRIPTION

ISSUE 05 / 02 / 07

PROJECT NO. 07-2200 - 0175

CAD DWG FILE: XXXXXXXX.dwg

DRAWN BY: AKILE

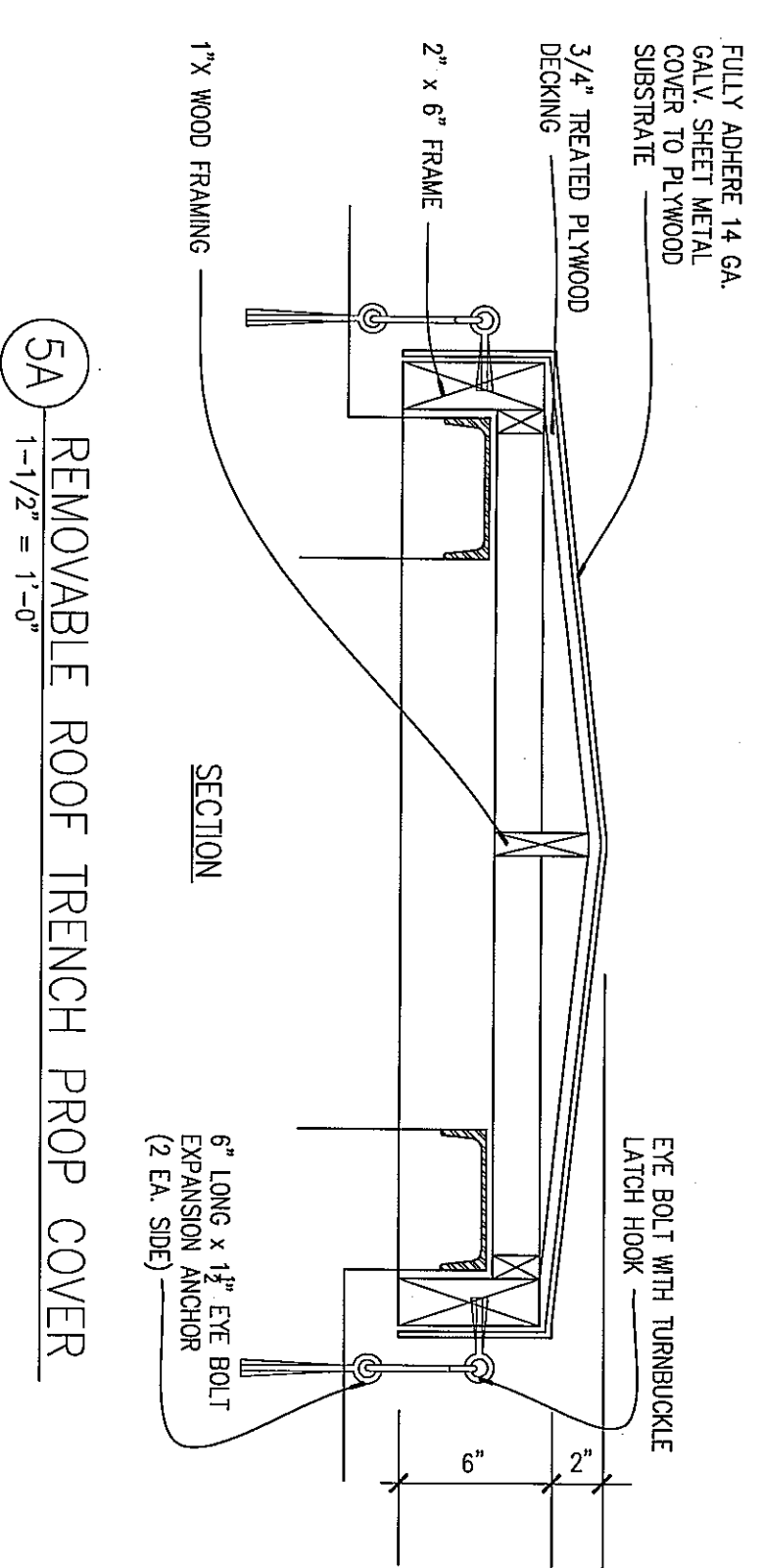
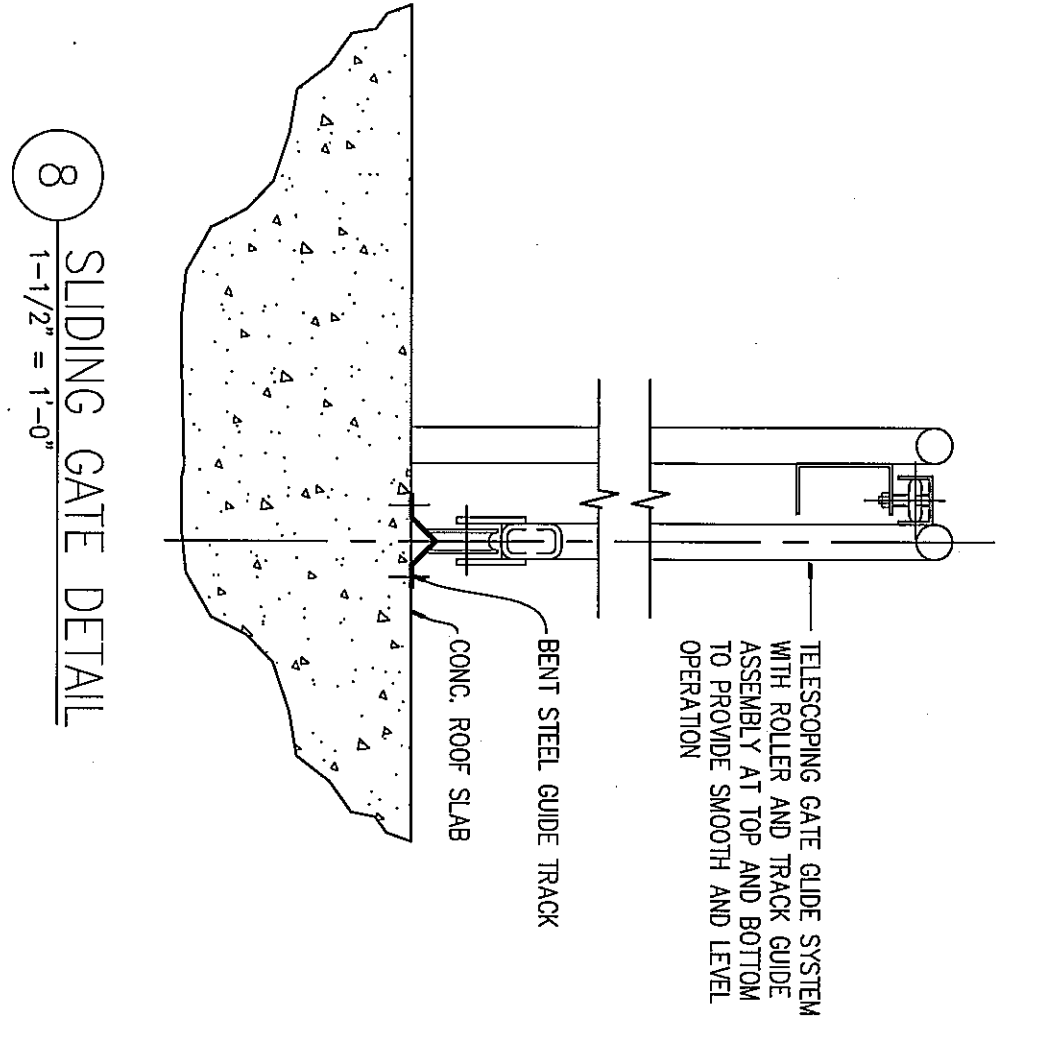
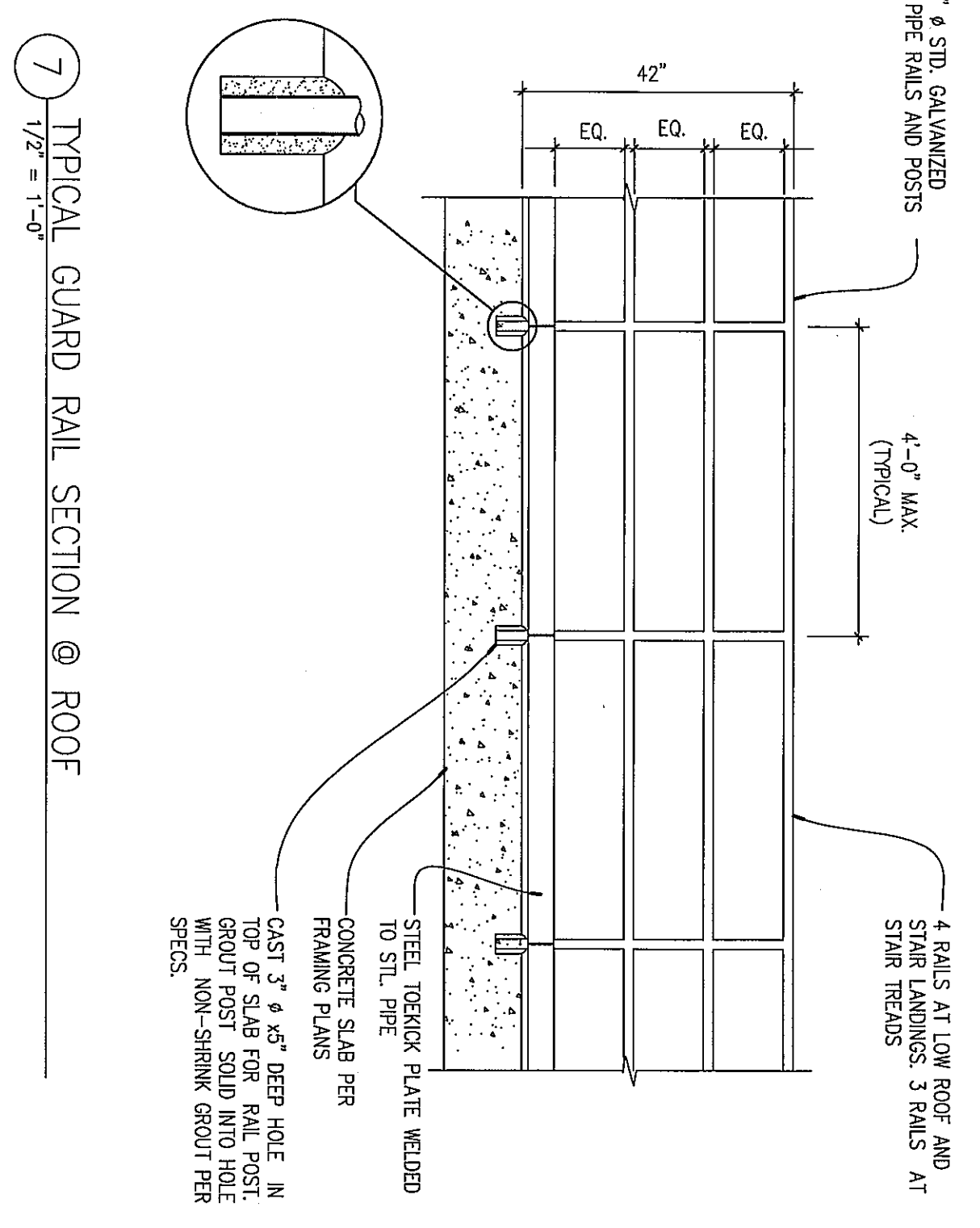
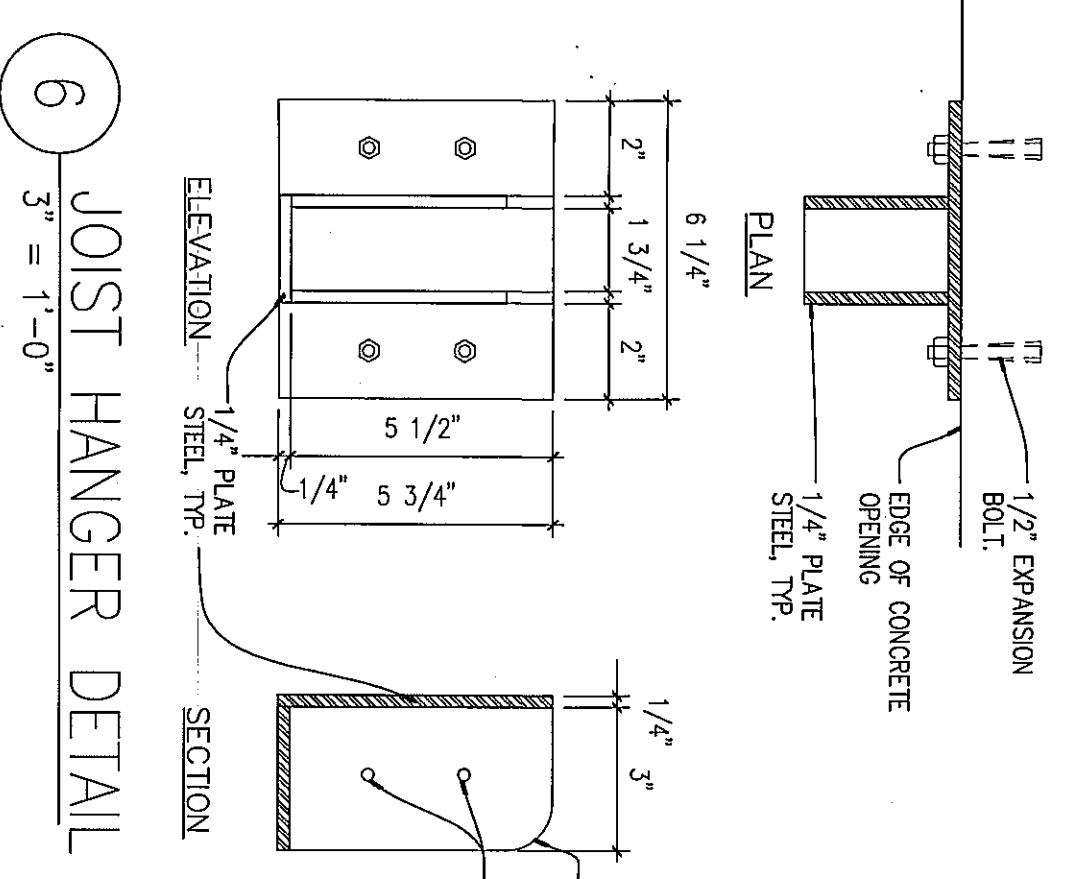
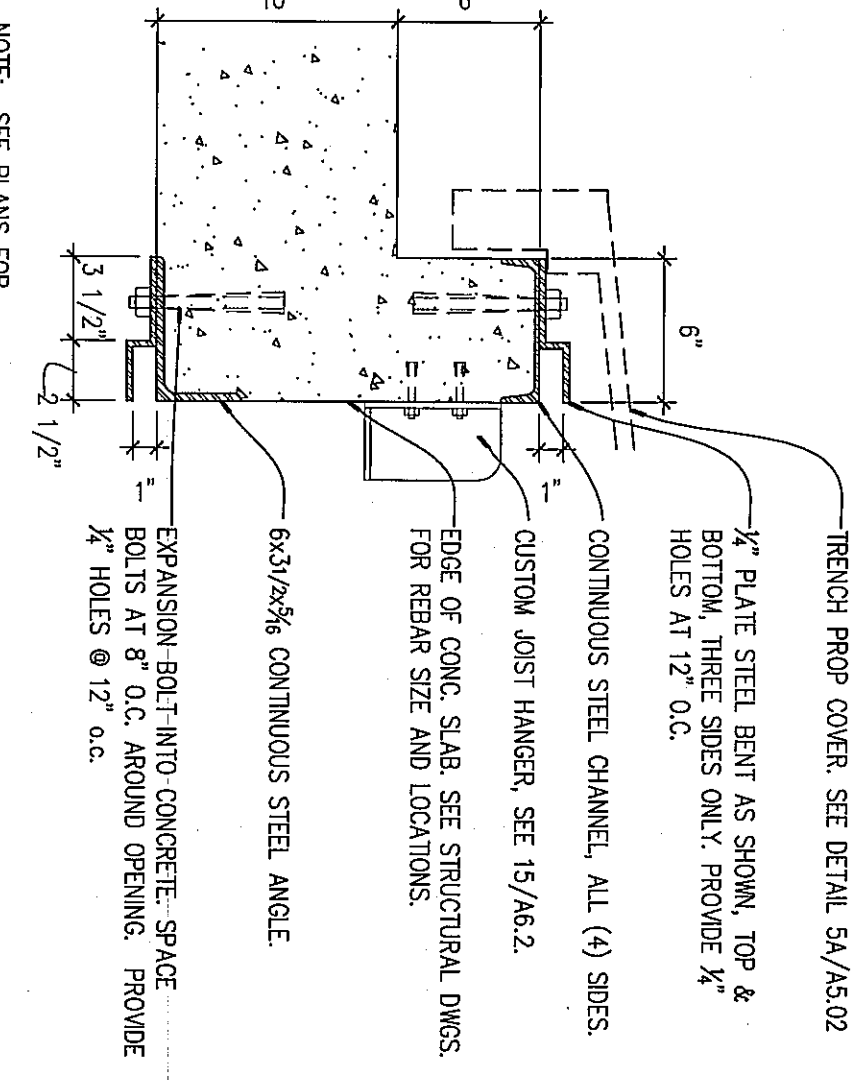
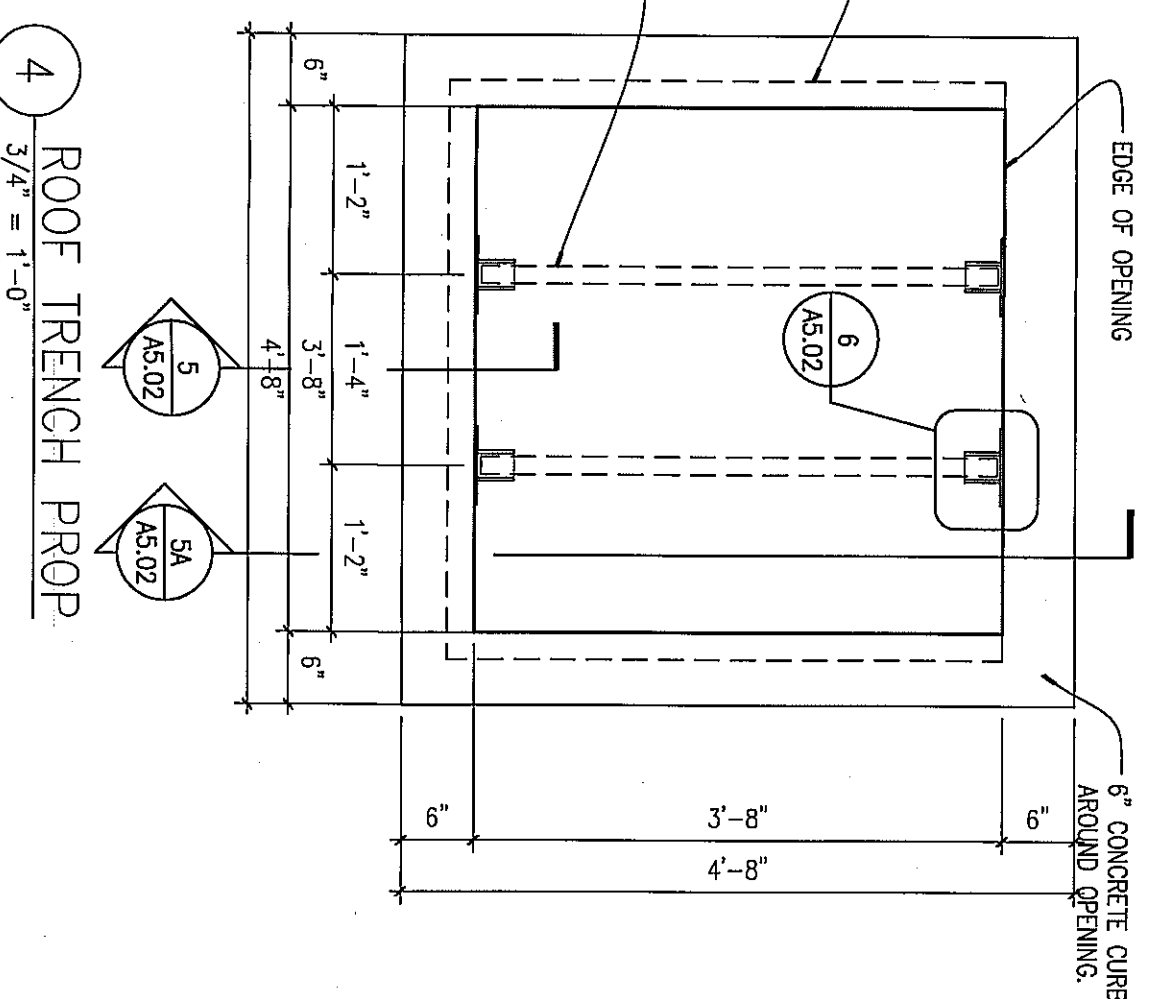
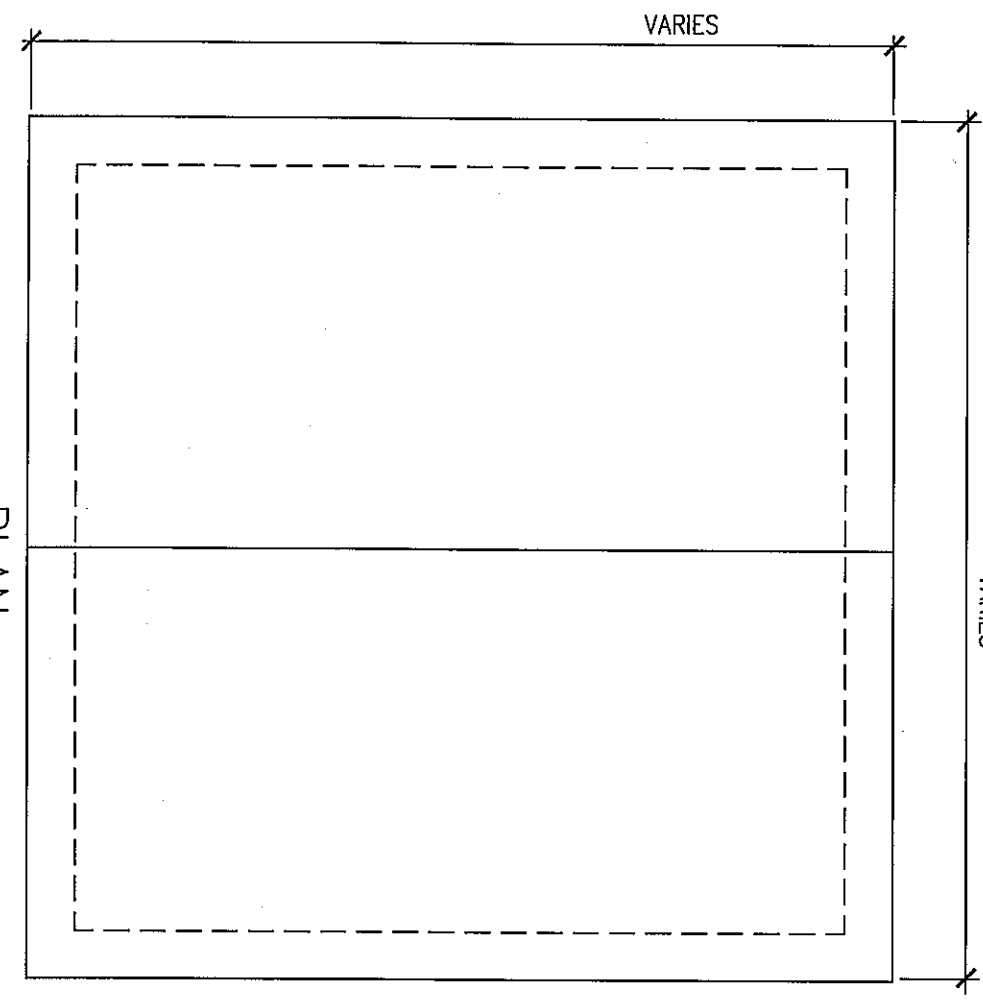
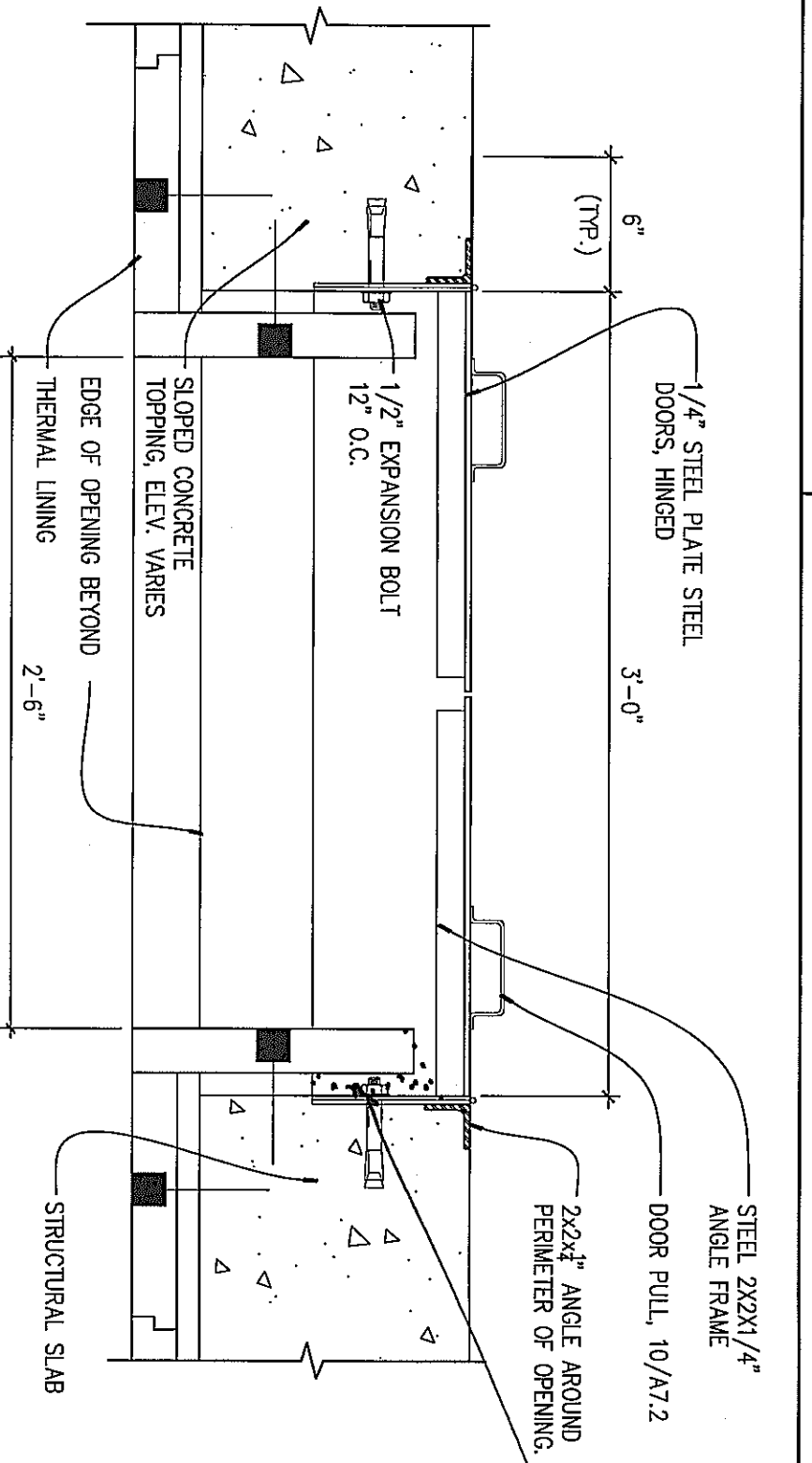
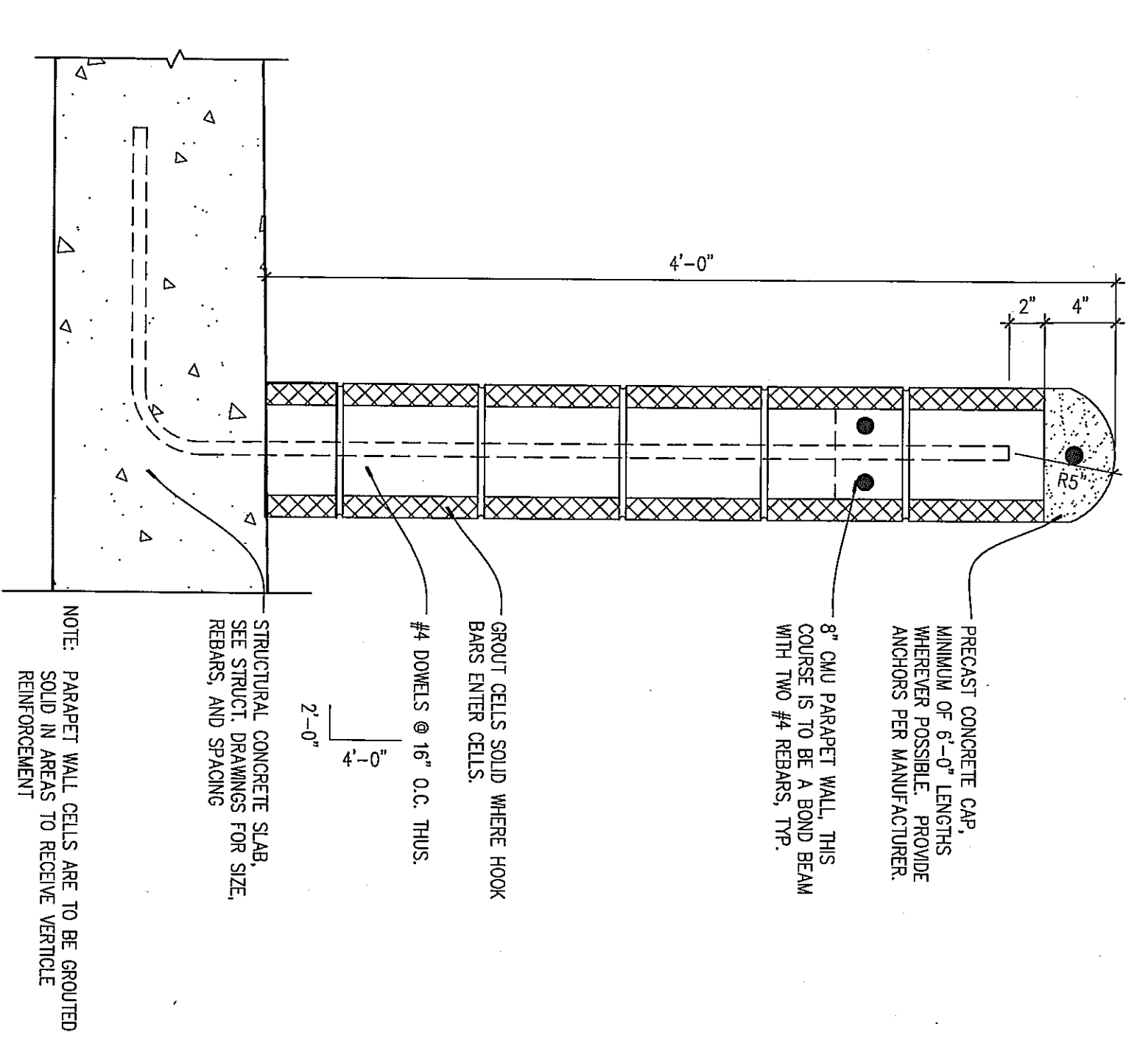
CHECKED BY: DG

© L. Robert Kimball & Associates
 Architects and Engineers, Inc.

SHEET TITLE

MISC. DETAILS

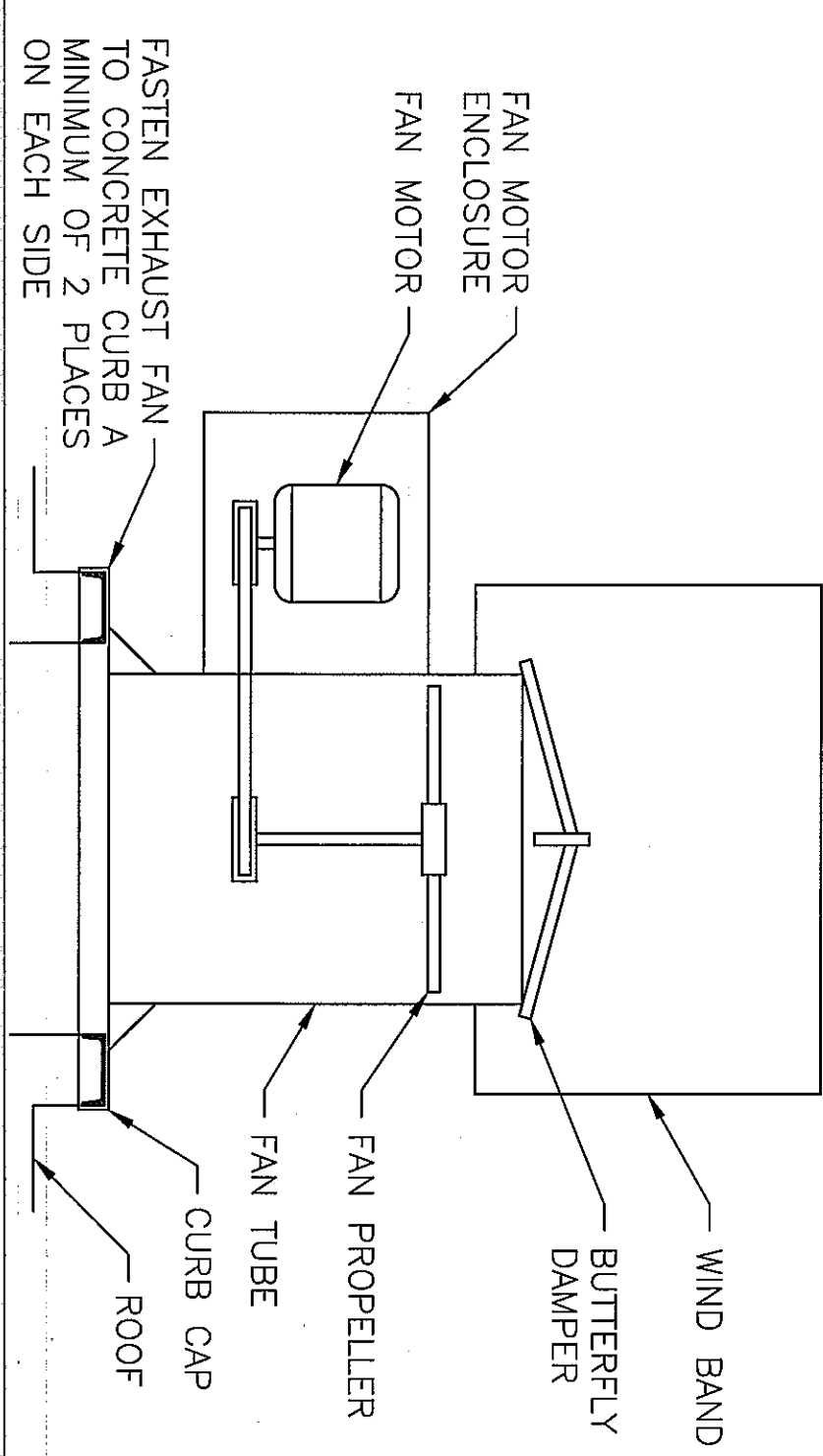
A5.01



EXHAUST FAN SCHEDULE

MARK	TYPE	CFM	SP	HP	ELECTRICAL			BASIS OF DESIGN			REMARKS		
					VOLTAGE	PHASE	RPM	TS	SONE	DRIVE		MANU	MODEL
E-1	ROOF EXHAUST	15,480	0.75	5	208	3P	1,237	11,658	49	BELT	GREENHECK	TUB-56H-50	UNIT MOUNTED DISCONNECT BY UNIT MANUFACTURER, CONTROL FAN FROM TEMPERATURE MONITORING SYSTEM

NOTE:
1. FAN TO OPERATE BASED ON CONTROL SIGNAL FROM TEMPERATURE MONITORING SYSTEM AND FROM PANE BUTTON LOCATED IN BUILDING
2. PROVIDE ALL REQUIRED CONTROLS, RELAYS, ETC. AS REQUIRED TO OPERATE FAN AS DESCRIBED IN SPECIFICATIONS



Kimball
L. Robert Kimball & Associates
Architects and Engineers, Inc.

615 West Highland Ave.
Ebensburg, PA 15931

phone (814) 472-7700
fax (814) 472-7712
email robert@kimball.com
web site www.kimball.com

CONSULTANTS

PROJECT NAME:
WESTMORELAND COUNTY COMMUNITY COLLEGE CLASS A BURN BUILDING

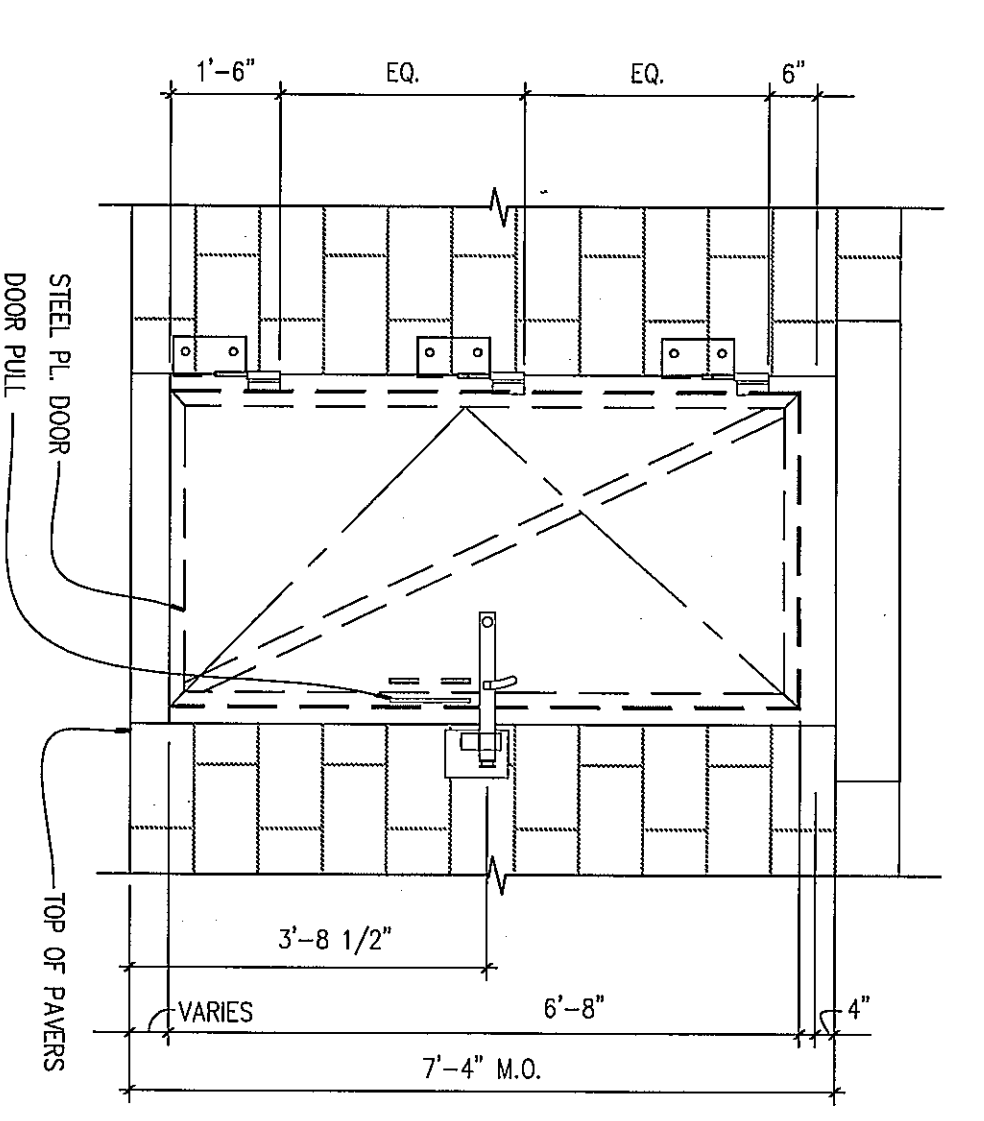
OWNER:
WESTMORELAND COUNTY COMMUNITY COLLEGE
YOUNGWOOD, PA 15897

KEEP PLAN

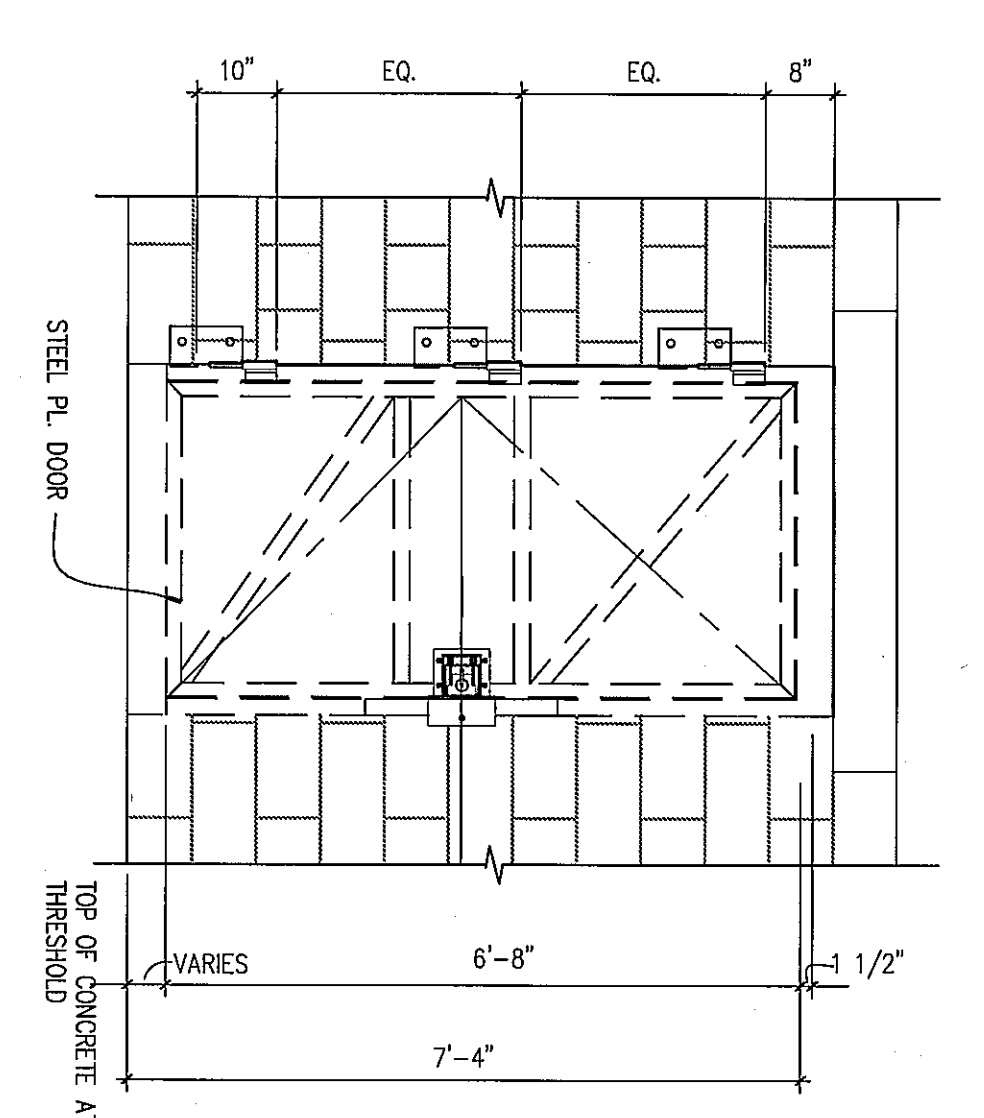
MARK DATE DESCRIPTION
05/02/07
PROJECT NO. 07-2200-0175
CAD DWG FILE: XXXXXXXX.dwg
DRAWN BY: AKILE
CHECKED BY: DG

© L. Robert Kimball & Associates
Architects and Engineers, Inc.

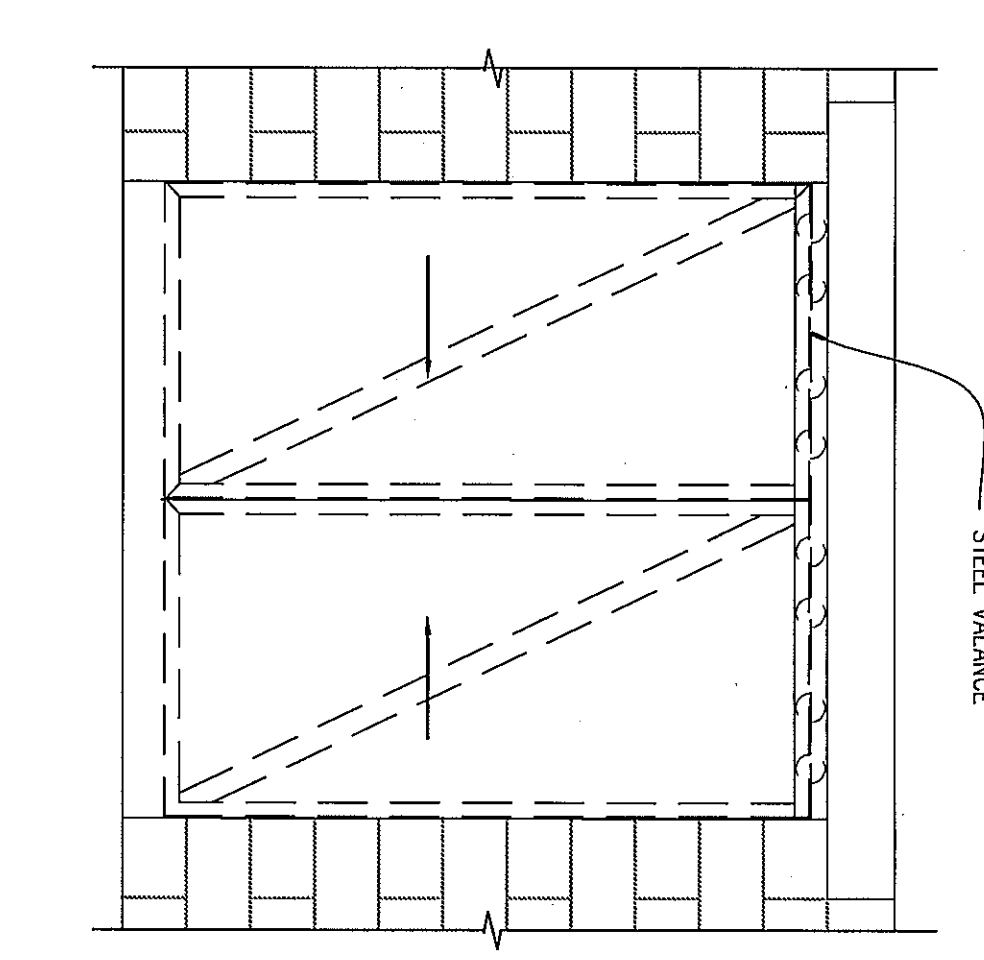
SHEET TITLE



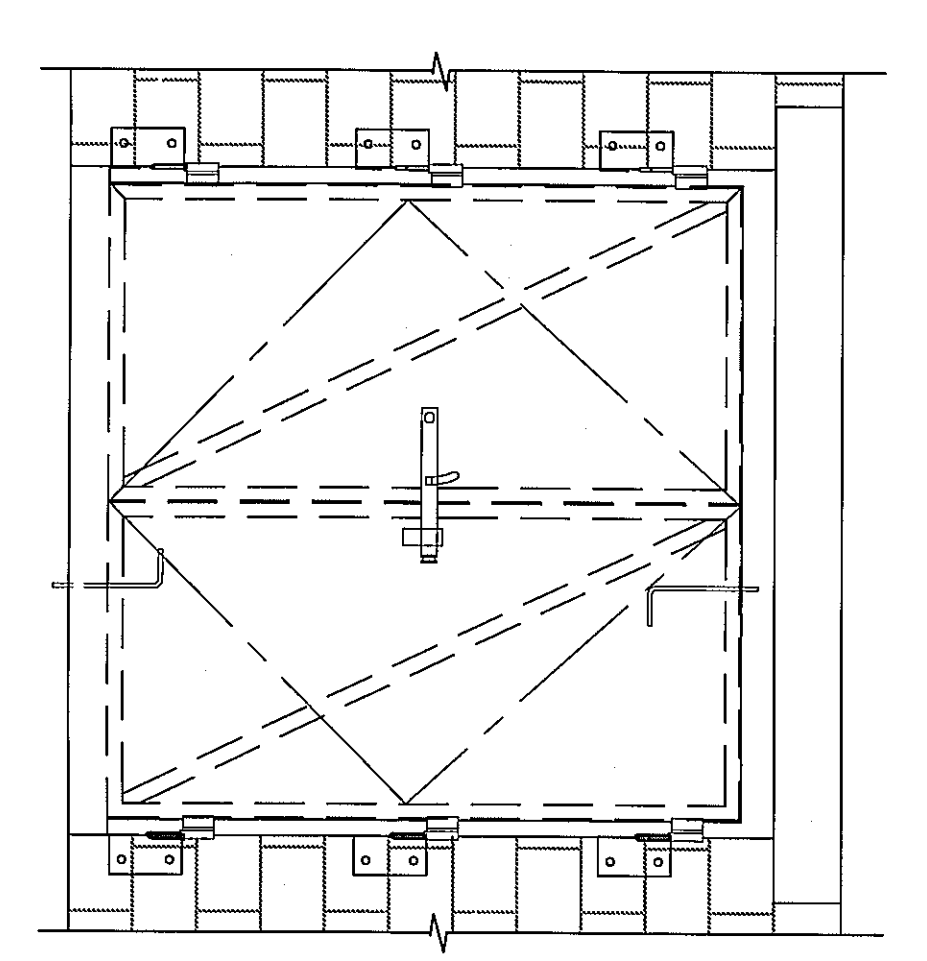
TYPE A - PLATE STEEL DOOR
 $1/2" = 1'-0"$



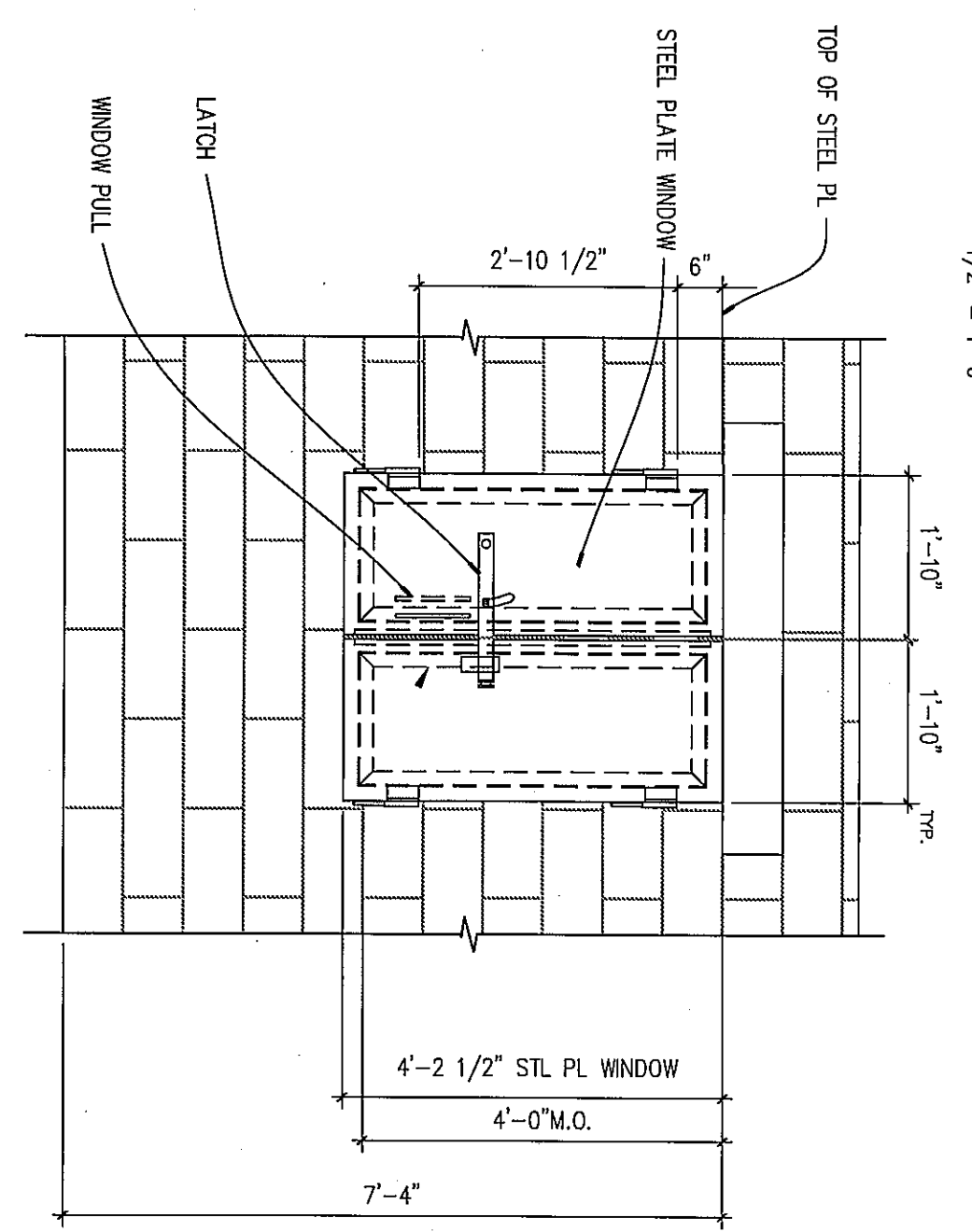
TYPE B - PLATE STEEL FORCIBLE ENTRY
 $1/2" = 1'-0"$



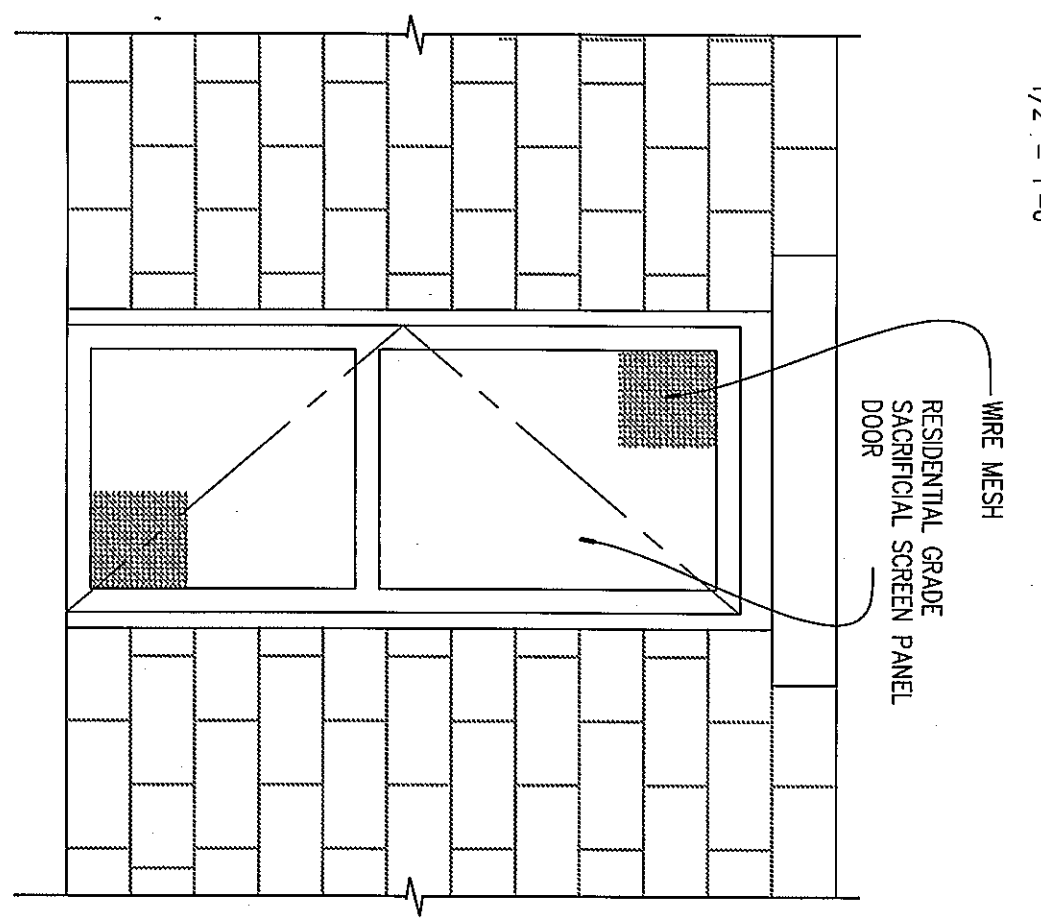
TYPE C - PLATE STEEL SLIDING DOOR
 $1/2" = 1'-0"$



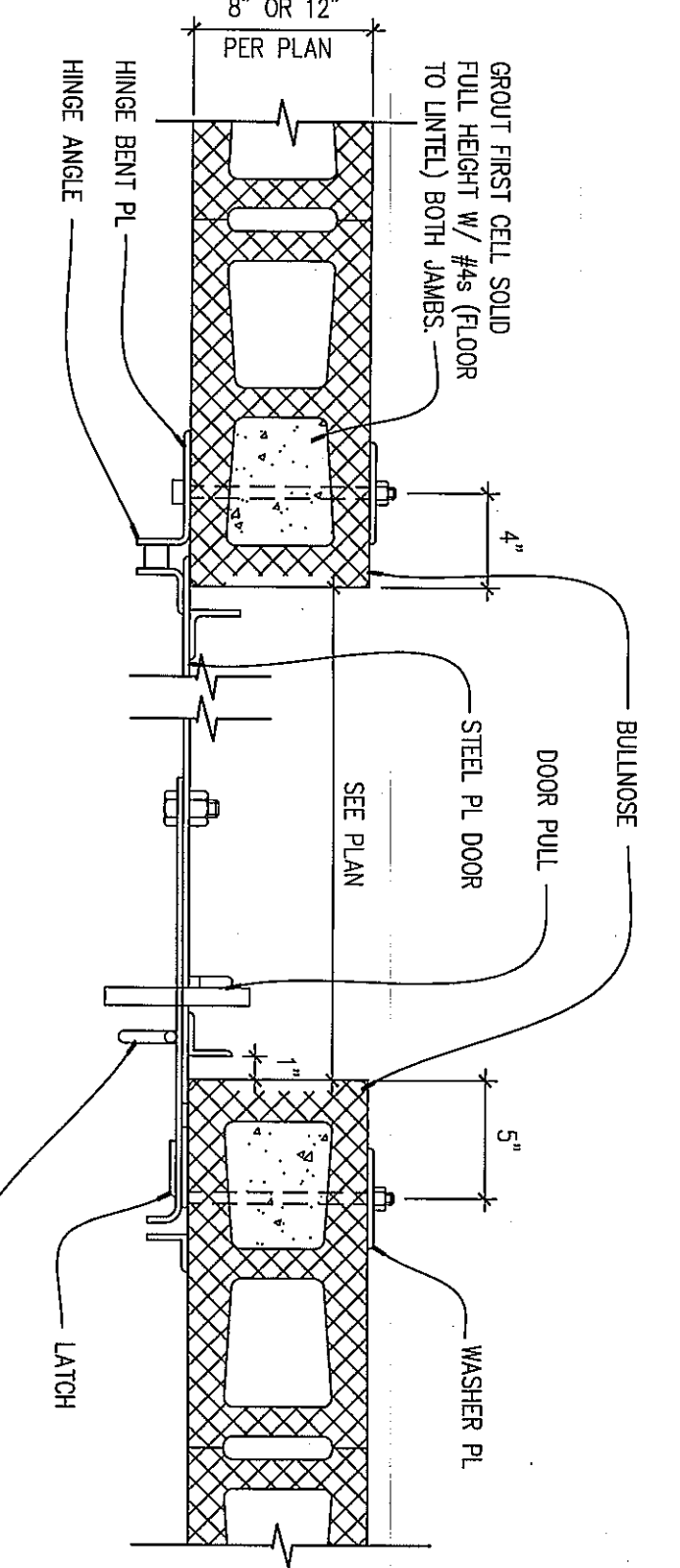
TYPE D - PLATE STEEL DOUBLE DOOR
 $1/2" = 1'-0"$



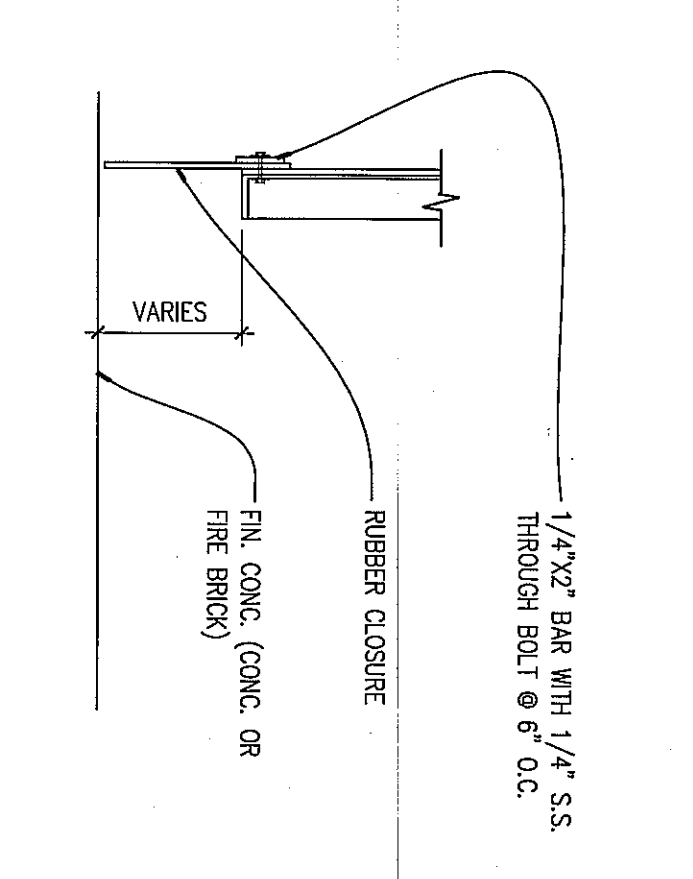
TYPE G - STEEL SHUTTER ELEVATION
 $1/2" = 1'-0"$



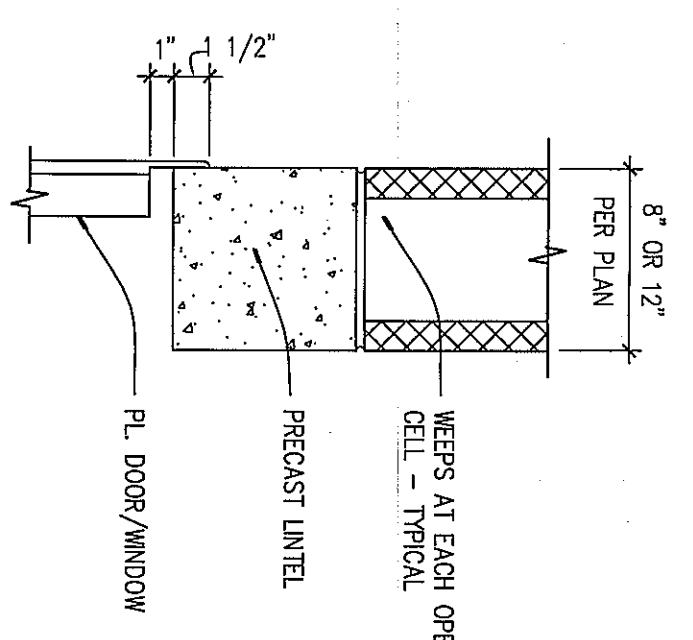
TYPE F - WOOD SCREEN DOOR
 $1/2" = 1'-0"$



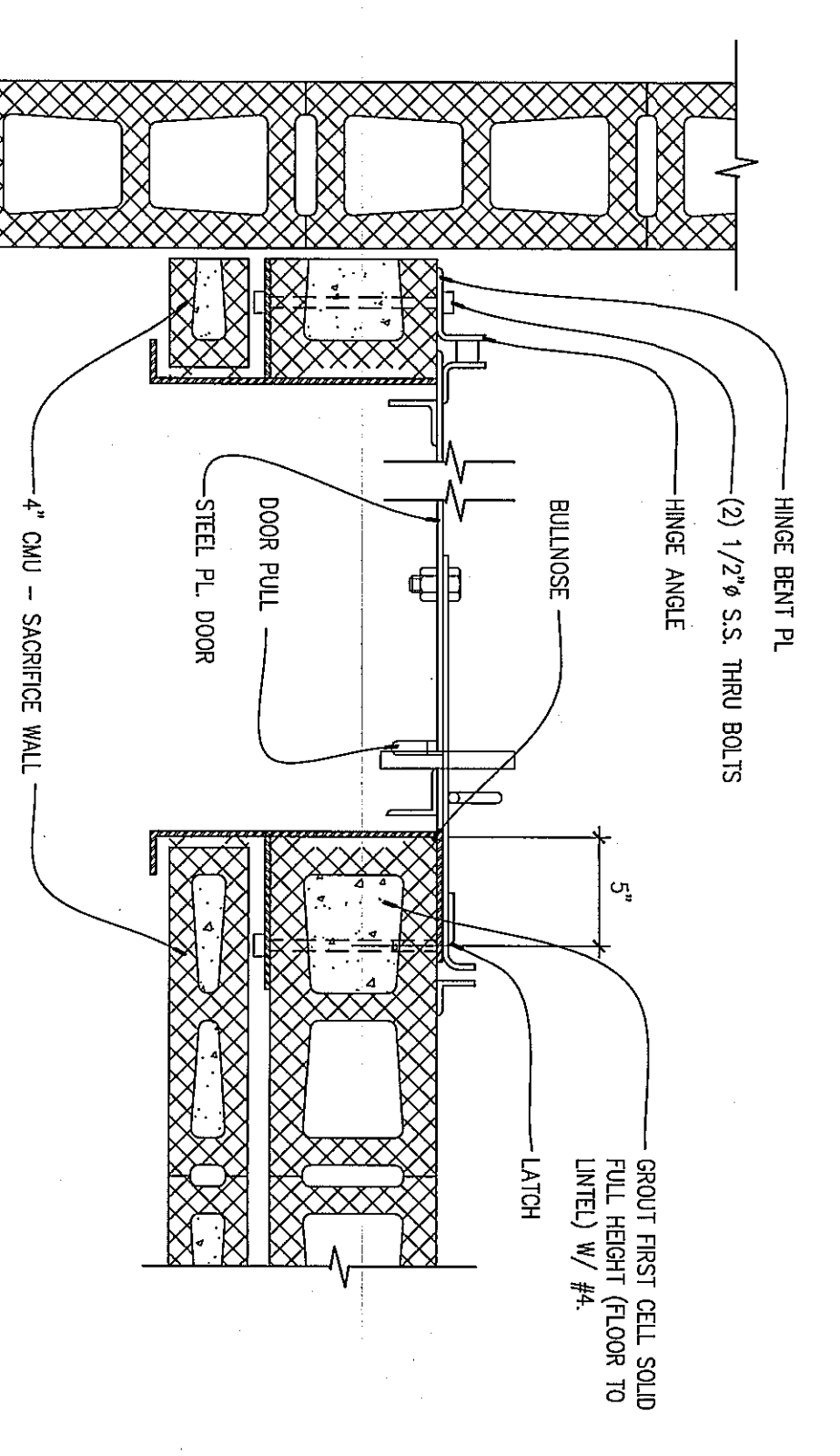
1 DOOR JAMB DETAIL
 $1-1/2" = 1'-0"$



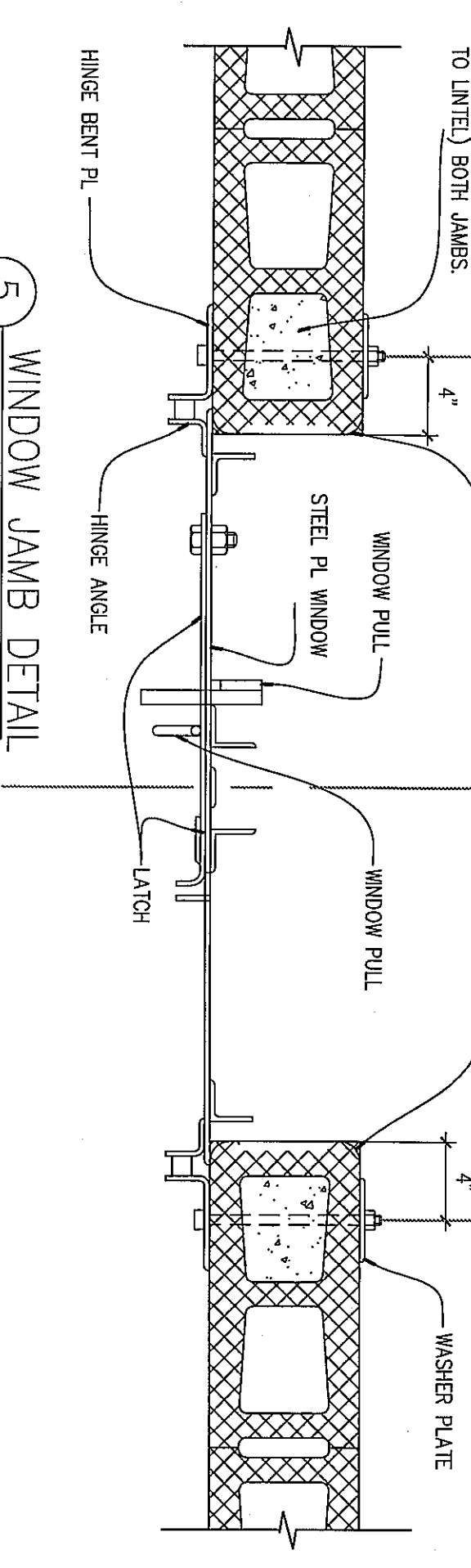
2 DOOR SILL DETAIL
 $1-1/2" = 1'-0"$



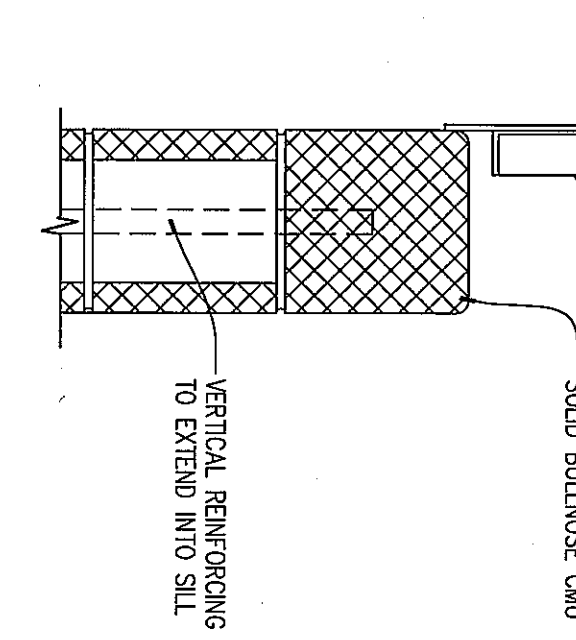
3 DOOR OR WINDOW HEAD DETAIL
 $1-1/2" = 1'-0"$



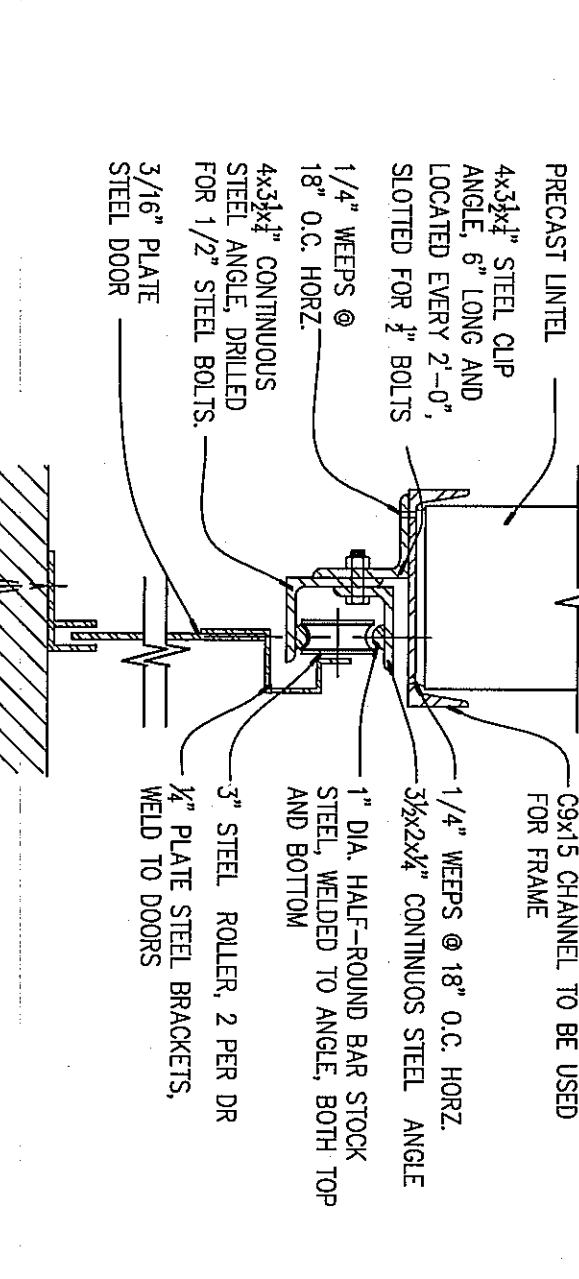
4 DOOR JAMB DETAIL
 $1-1/2" = 1'-0"$



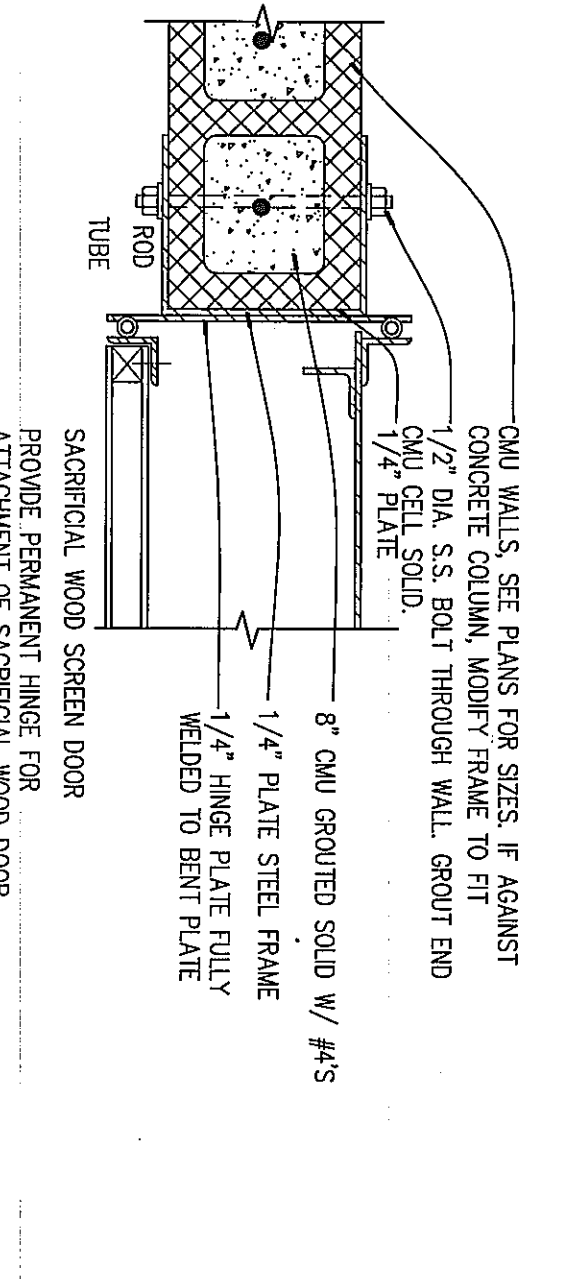
5 WINDOW JAMB DETAIL
 $1-1/2" = 1'-0"$



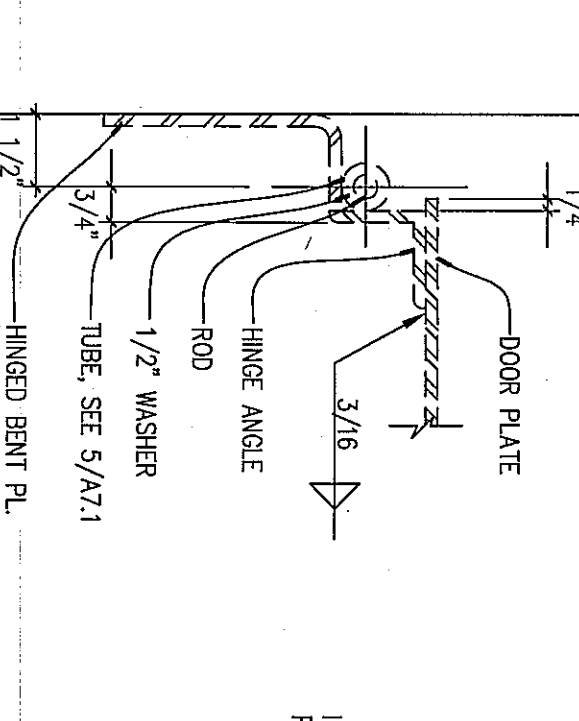
6 WINDOW SILL DETAIL
 $1-1/2" = 1'-0"$



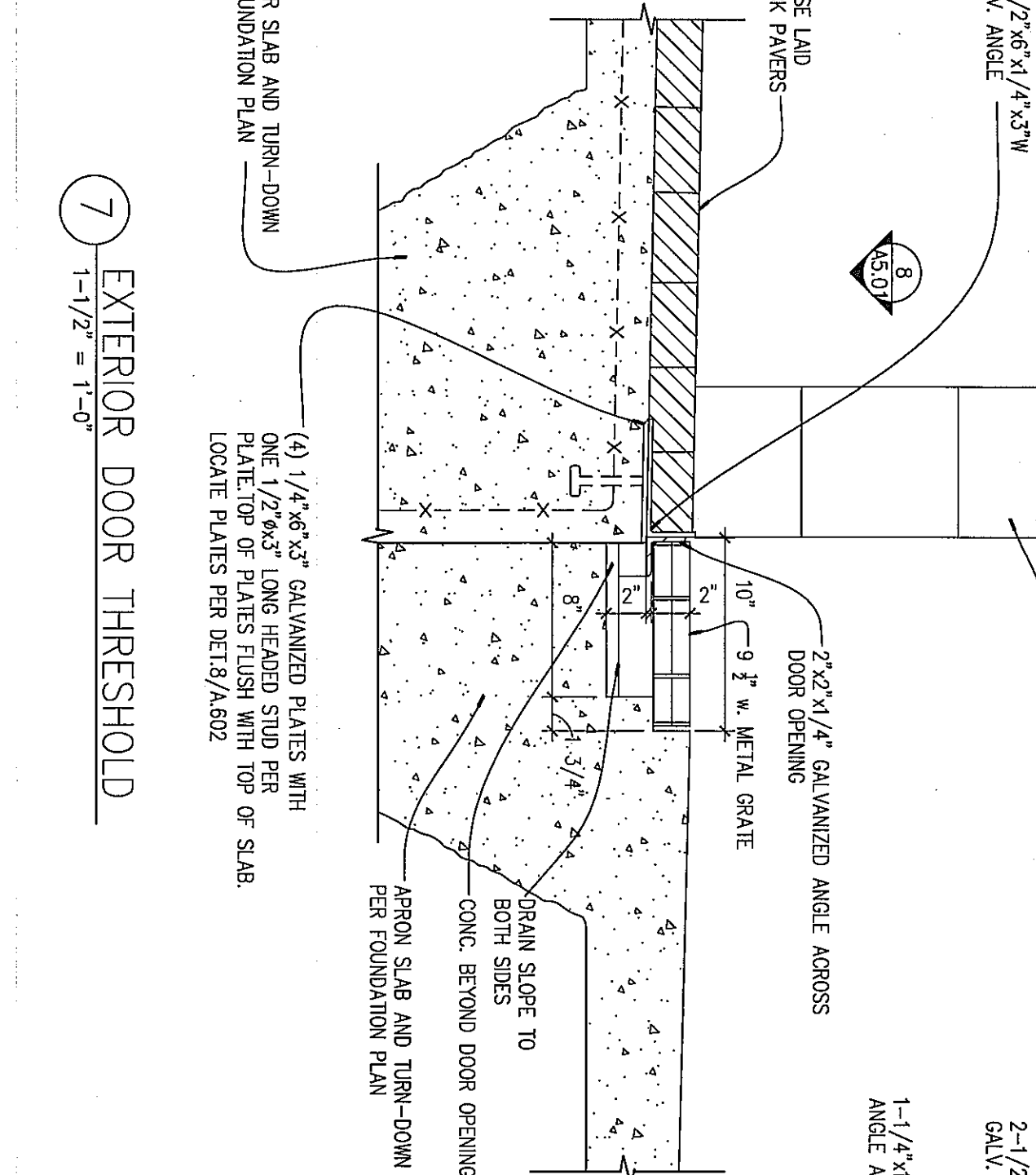
9 SLIDING DOOR HEAD/SILL DETAIL
 $1-1/2" = 1'-0"$



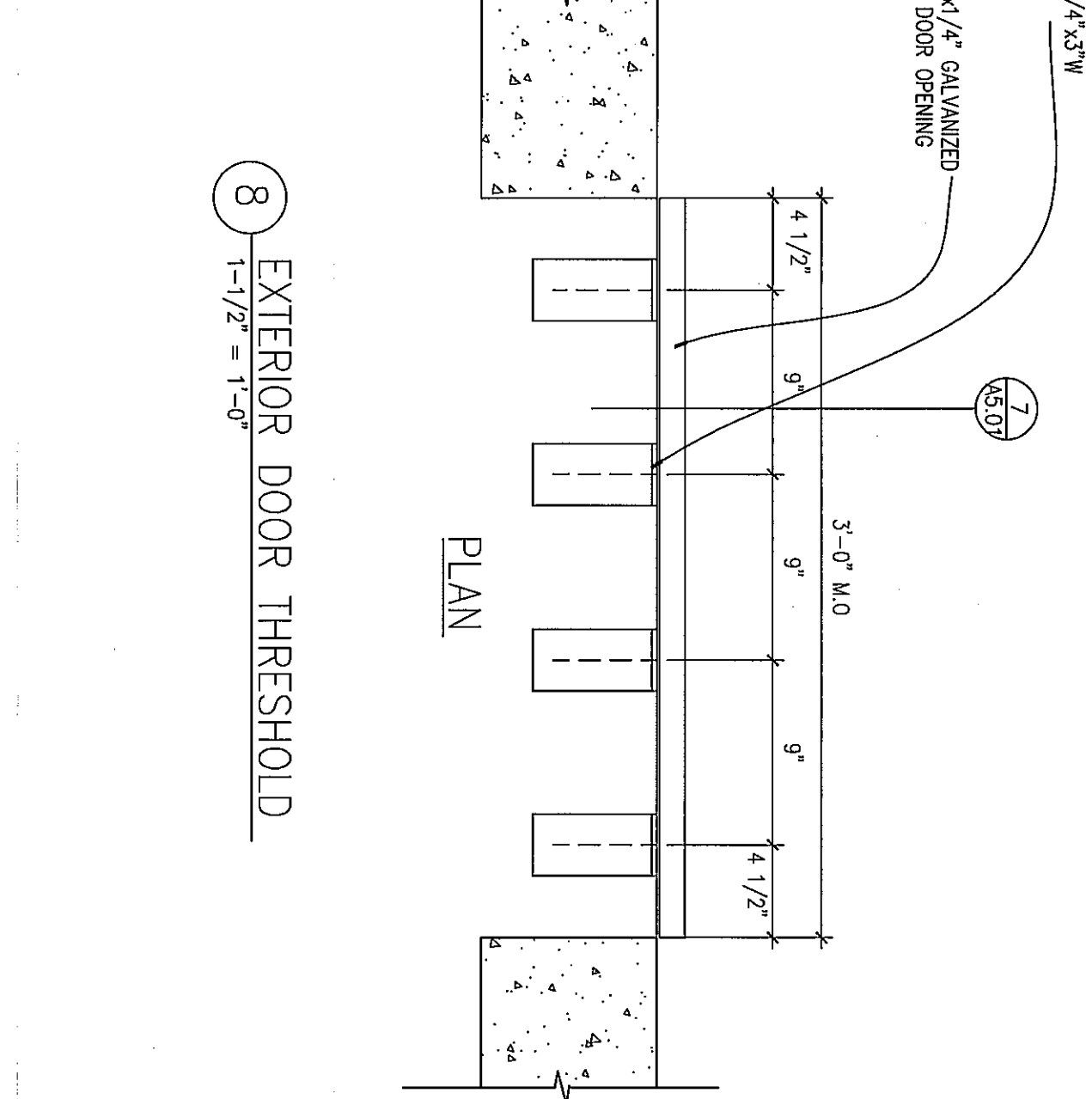
10 FORCIBLE ENTRY DOOR
 $1-1/2" = 1'-0"$



11 DOOR HINGE DETAIL
 $3" = 1'-0"$



7 EXTERIOR DOOR THRESHOLD
 $1-1/2" = 1'-0"$



8 EXTERIOR DOOR THRESHOLD
 $1-1/2" = 1'-0"$



PLAN

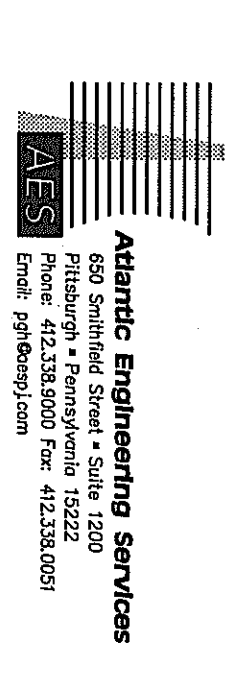
Kimball
 L. Robert Kimball & Associates
 Architects and Engineers, Inc.
 615 West Highland Ave.
 Ebensburg, PA 15931
 Phone: (814) 472-7700
 Fax: (814) 472-7712
 Email: info@kimball.com
 Web: www.kimball.com

PROJECT NAME:
 WESTMORELAND COUNTY COMMUNITY COLLEGE CLASS A BURN BUILDING
 OWNER:
 WESTMORELAND COUNTY COMMUNITY COLLEGE
 YOUNGWOOD, PA 15897

MARK	DATE	DESCRIPTION
05/02/07	05/02/07	ISSUE
07-2200-0175	07-2200-0175	PROJECT NO.
XXXXXXX.dwg	XXXXXXX.dwg	CAD DWG FILE
AK/LE		DRAWN BY
DG		CHECKED BY

© L. Robert Kimball & Associates
 Architects and Engineers, Inc.

CONSULTANTS



PROFESSIONAL



PROJECT NAME:

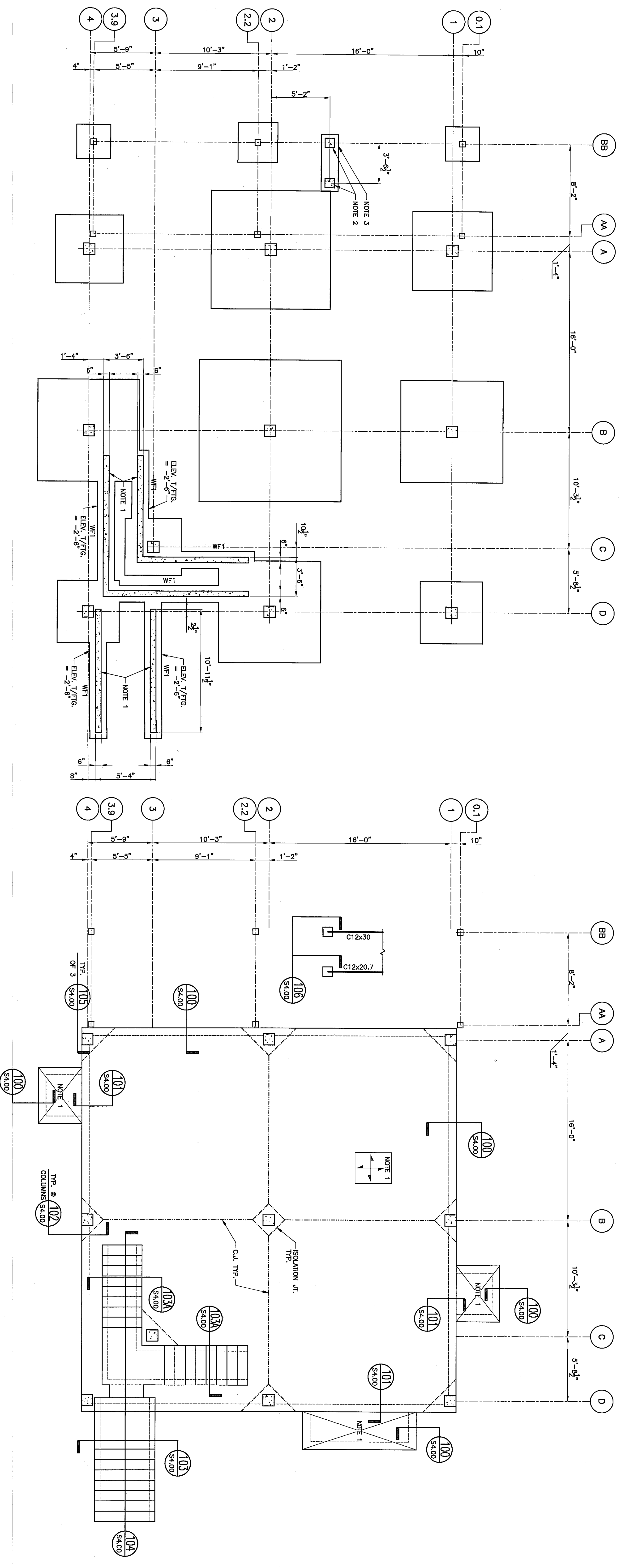
WESTMORELAND COUNTY COMMUNITY COLLEGE CLASS A BURN BUILDING
 OWNER: WESTMORELAND COUNTY COMMUNITY COLLEGE
 YOUNGWOOD, PA 15997

REPLAN

MARK	DATE	DESCRIPTION
ISSUE:	05/02/07	
PROJECT NO.:	07-2200-0175	
CAD DWG FILE:	BJS	
DRAWN BY:	RBS	
CHECKED BY:	RBS	

© L. Robert Kimball & Associates
 Architects and Engineers, Inc.

SHEET TITLE
 FOUNDATION AND SLAB ON GRADE PLAN



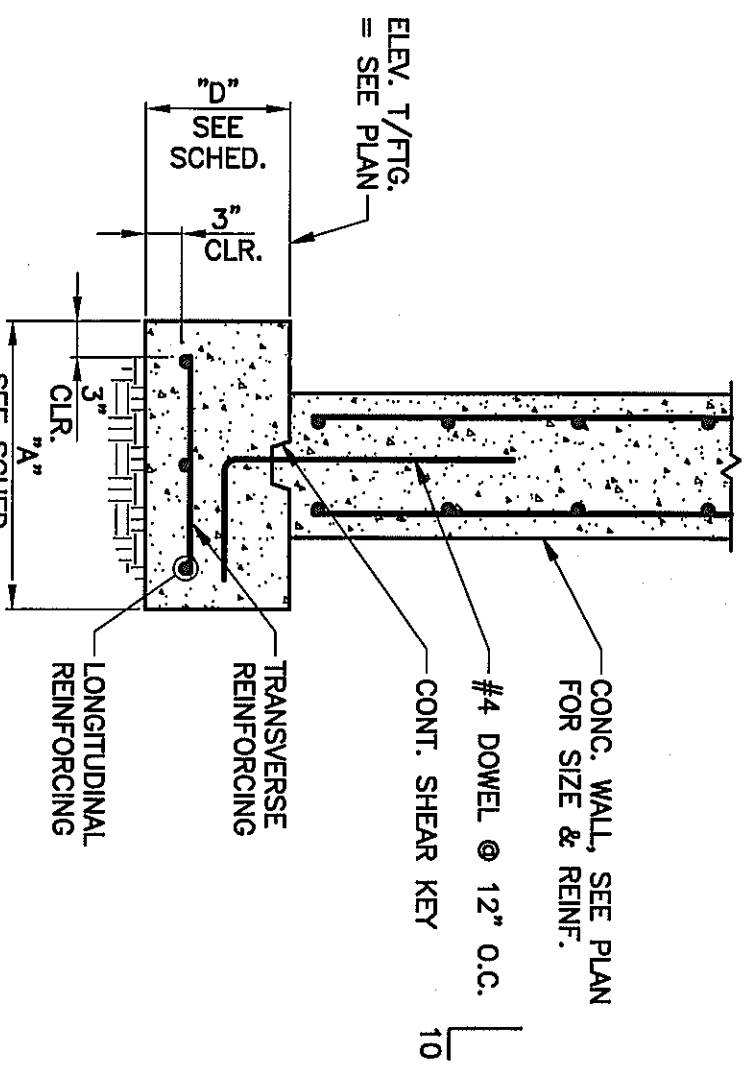
FOUNDATION PLAN
 SCALE: 1/4" = 1'-0"

- NOTES:
- 6" CONC. WALL REIN. W/ #4 @ 12" O.C. HORIZ. & VERT.
 - 10" CONC. PER REIN. W/ #4 @ 12" O.C. HORIZ. & VERT. & #3 TRS @ 8" O.C.
 - 5'-0" x 1'-6" x 1'-6" THICK FTG. & 6'-6" TRANSVERSE ELEV. 1/FTG. = -2'-6"

SLAB ON GRADE PLAN
 SCALE: 1/4" = 1'-0"

- NOTES:
- 6" MIN. CONC. SLAB ON GRADE REIN. W/ #3 @ 18" O.C. EACH WAY. SLAB THICKNESS VARIES FROM 6" MIN. TO 8" MAX. DIMS. 1/3 SLAB = WARS. SEE ARCH. DIMS. ON SHEET S100.
 - PROMOTE THICKENED SLAB AT CONCRETE MASONRY WALL PENETRATIONS. SEE ARCH. DIMS. ON SHEET S100.

TYPICAL CONTINUOUS WALL FOOTING DETAIL



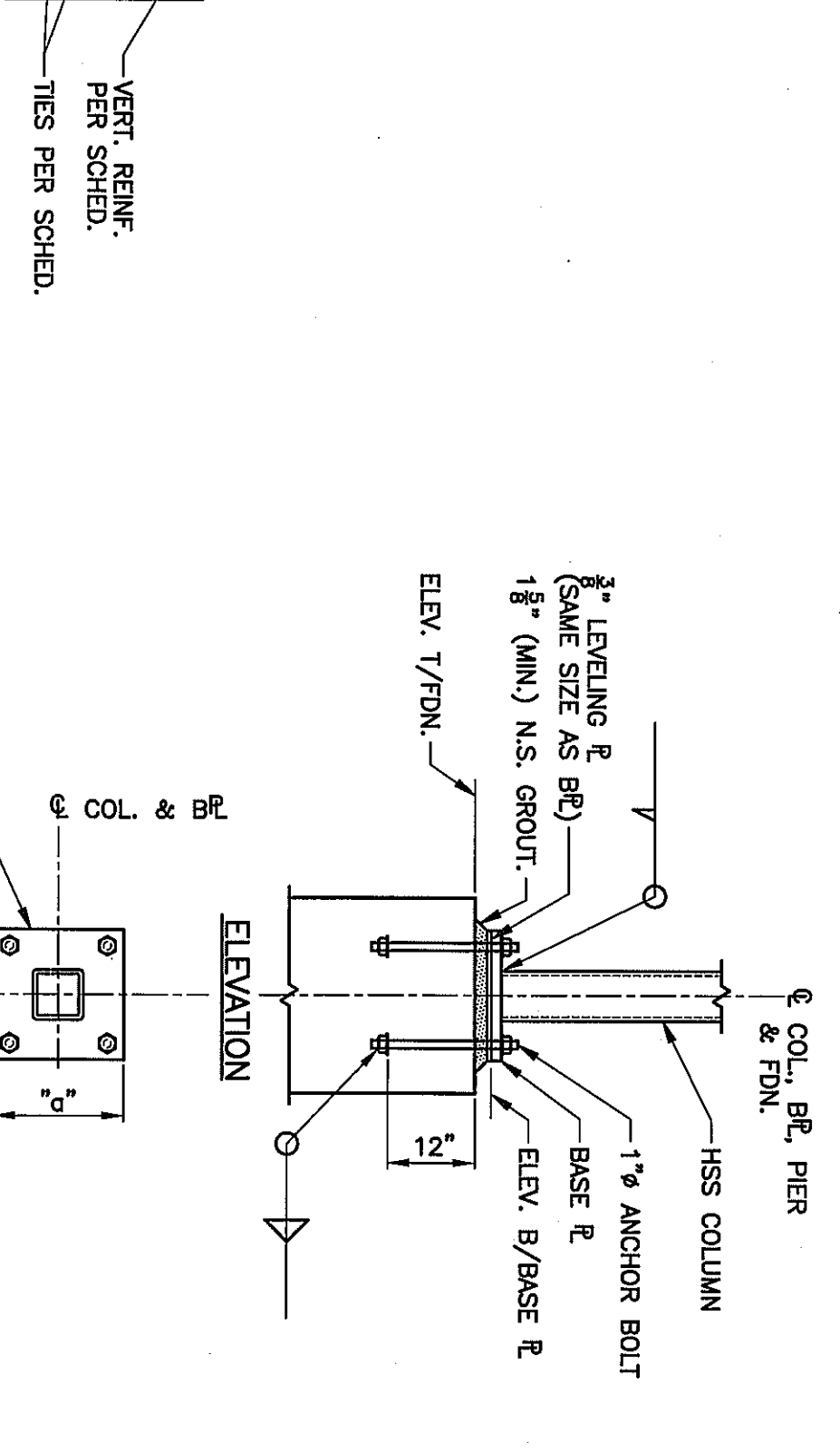
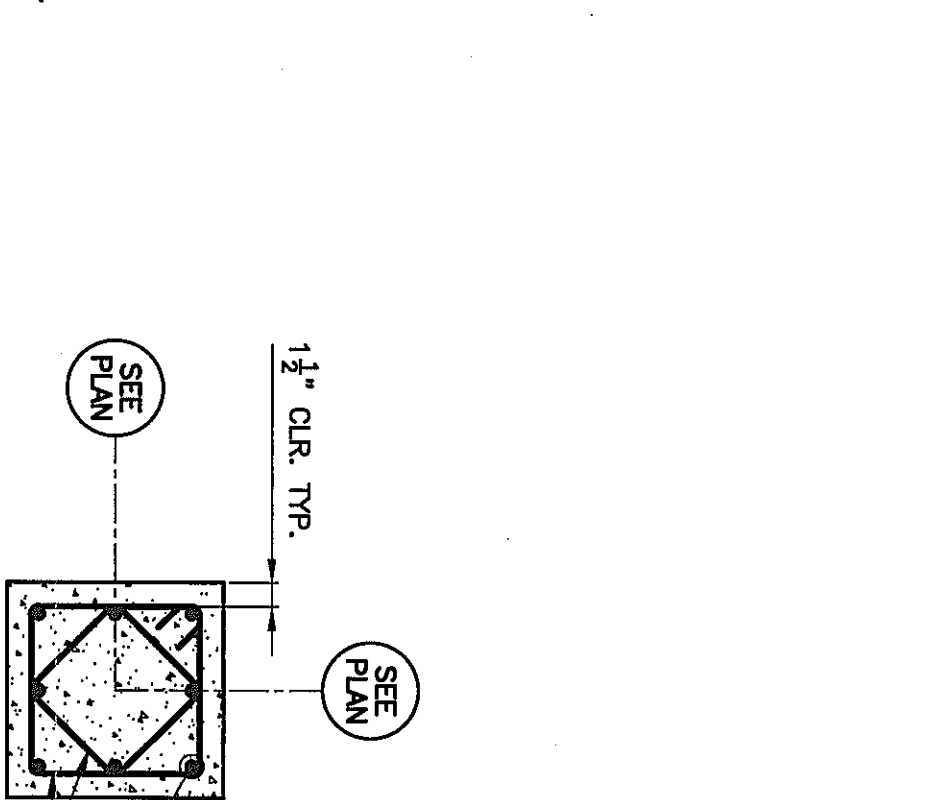
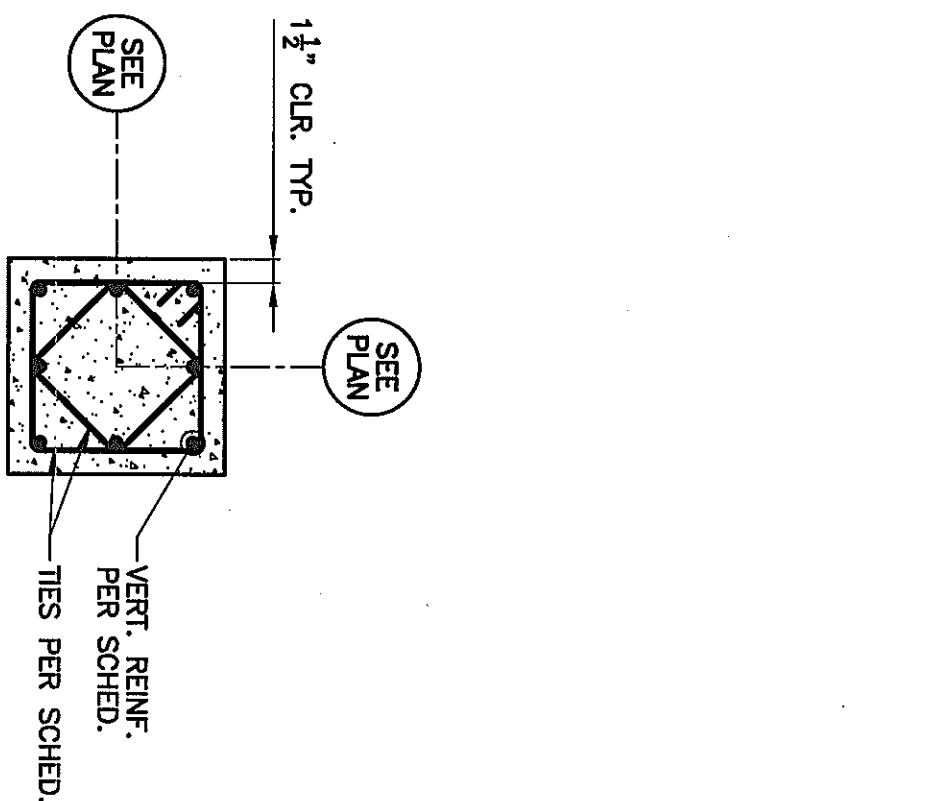
CONTINUOUS WALL FOOTING SCHEDULE					
MARK	WIDTH	DEPTH	LONGITUDINAL REINFORCING	TRANSVERSE REINFORCING	MARK
WF1	2'-0"	1'-0"	3-#5 CONT.	#3@8" @ 12" O.C.	WF1

CONCRETE COLUMN SCHEDULE

COLUMN MARK	1A	1B	1D	2A	2B	2D	3C	4A	4B	4D
ROOF										
COL. SIZE (A&B) U.N.O.	12"x12"	12"x12"	12"x12"	12"x12"	12"x12"	12"x12"	12"x12"	12"x12"	12"x12"	12"x12"
VERTICAL TIES	8-#5	8-#5	8-#5	8-#5	8-#5	8-#5	8-#5	8-#5	8-#5	8-#5
MIN. LAP	24"	24"	24"	24"	24"	24"	24"	24"	24"	24"
COL. REIN. DETAIL	A	A	A	A	A	A	A	A	A	A
SECOND FLOOR										
COL. SIZE (A&B) U.N.O.	12"x12"	12"x12"	12"x12"	12"x12"	12"x12"	12"x12"	12"x12"	12"x12"	12"x12"	12"x12"
VERTICAL TIES	8-#5	8-#5	8-#5	8-#5	8-#5	8-#5	8-#5	8-#5	8-#5	8-#5
MIN. LAP	24"	24"	24"	24"	24"	24"	24"	24"	24"	24"
COL. REIN. DETAIL	A	A	A	A	A	A	A	A	A	A
SLAB										
COL. SIZE (A&B) U.N.O.	12"x12"	12"x12"	12"x12"	12"x12"	12"x12"	12"x12"	12"x12"	12"x12"	12"x12"	12"x12"
VERTICAL TIES	8-#5	8-#5	8-#5	8-#5	8-#5	8-#5	8-#5	8-#5	8-#5	8-#5
MIN. LAP	24"	24"	24"	24"	24"	24"	24"	24"	24"	24"
COL. REIN. DETAIL	A	A	A	A	A	A	A	A	A	A
FOOTINGS										
SIZE (A&B)	7'-0"x7'-0"	5'-0"x5'-0"	5'-0"x5'-0"	5'-0"x5'-0"	5'-0"x5'-0"	5'-0"x5'-0"	5'-0"x5'-0"	5'-0"x5'-0"	5'-0"x5'-0"	5'-0"x5'-0"
REINFORCING (G.E.M.)	7-#6	7-#6	9-#6	6-#6	11-#7	12-#8	9-#6	5-#6	8-#6	6-#6
ELEVATION TOP	-2'-0"	-2'-0"	-2'-0"	-1'-6"	-2'-0"	-2'-0"	-2'-0"	-2'-0"	-2'-0"	-2'-0"
REMARKS										

COLUMN SCHEDULE

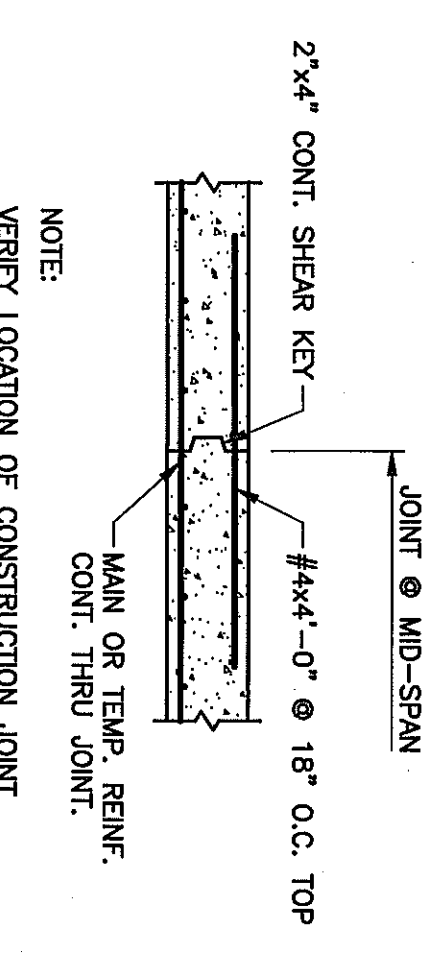
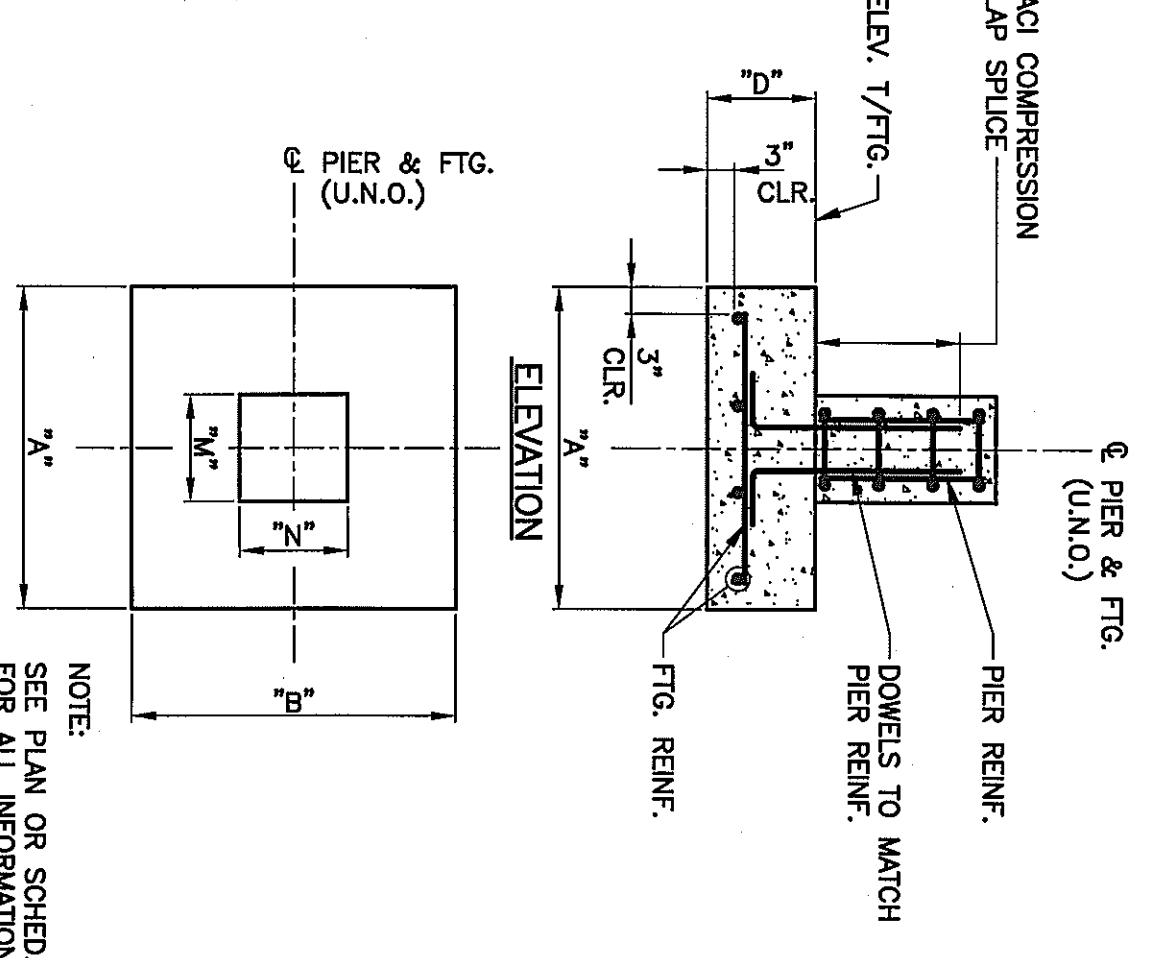
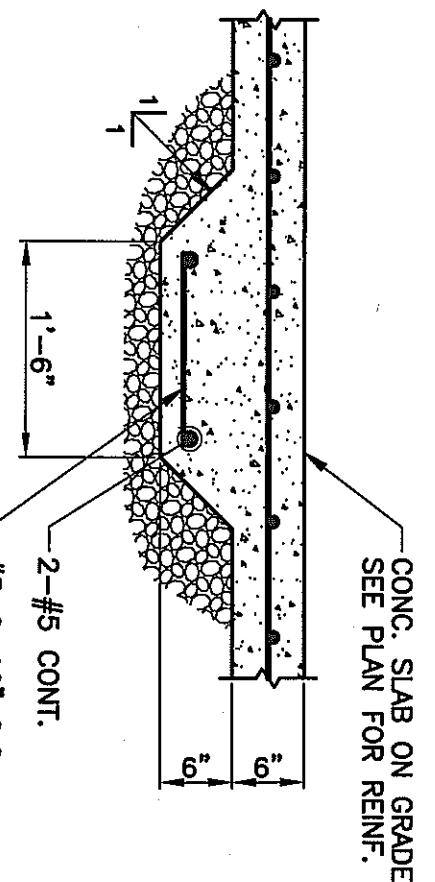
COLUMN MARK	0.1	0.1	2.2	2.2	3.9	3.9
ROOF						
COL. SIZE (A&B) U.N.O.	18"x18"	18"x18"	18"x18"	18"x18"	18"x18"	18"x18"
VERTICAL TIES	8-#6	8-#6	8-#6	8-#6	8-#6	8-#6
MIN. LAP	24"	24"	24"	24"	24"	24"
COL. REIN. DETAIL	A	A	A	A	A	A
SLAB						
COL. SIZE (A&B) U.N.O.	18"x18"	18"x18"	18"x18"	18"x18"	18"x18"	18"x18"
VERTICAL TIES	8-#6	8-#6	8-#6	8-#6	8-#6	8-#6
MIN. LAP	24"	24"	24"	24"	24"	24"
COL. REIN. DETAIL	A	A	A	A	A	A
FOOTINGS						
SIZE (A&B)	18"x18"	18"x18"	18"x18"	18"x18"	18"x18"	18"x18"
REINFORCING (G.E.M.)	4-#6	4-#6	4-#6	4-#6	4-#6	4-#6
ELEVATION TOP	-2'-6"	-2'-6"	-2'-6"	-2'-6"	-2'-6"	-2'-6"
REMARKS						



COLUMN REINFORCING DETAIL "A"

PIER REINFORCING DETAIL "A"

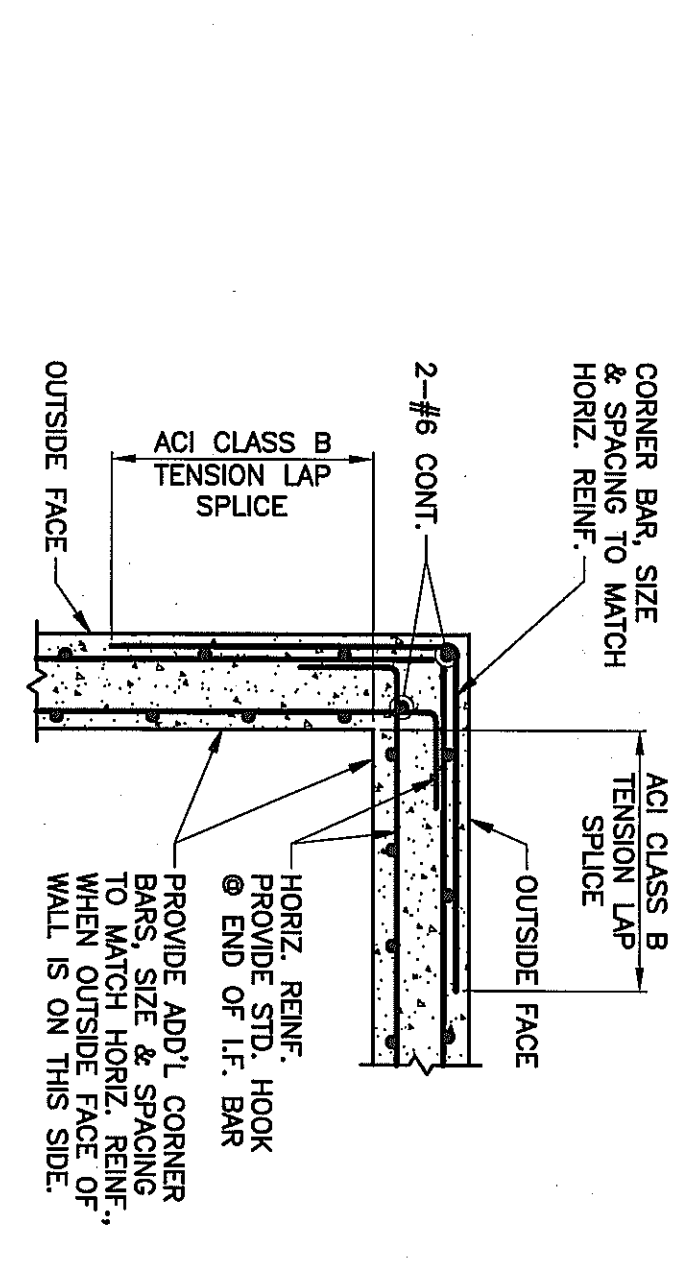
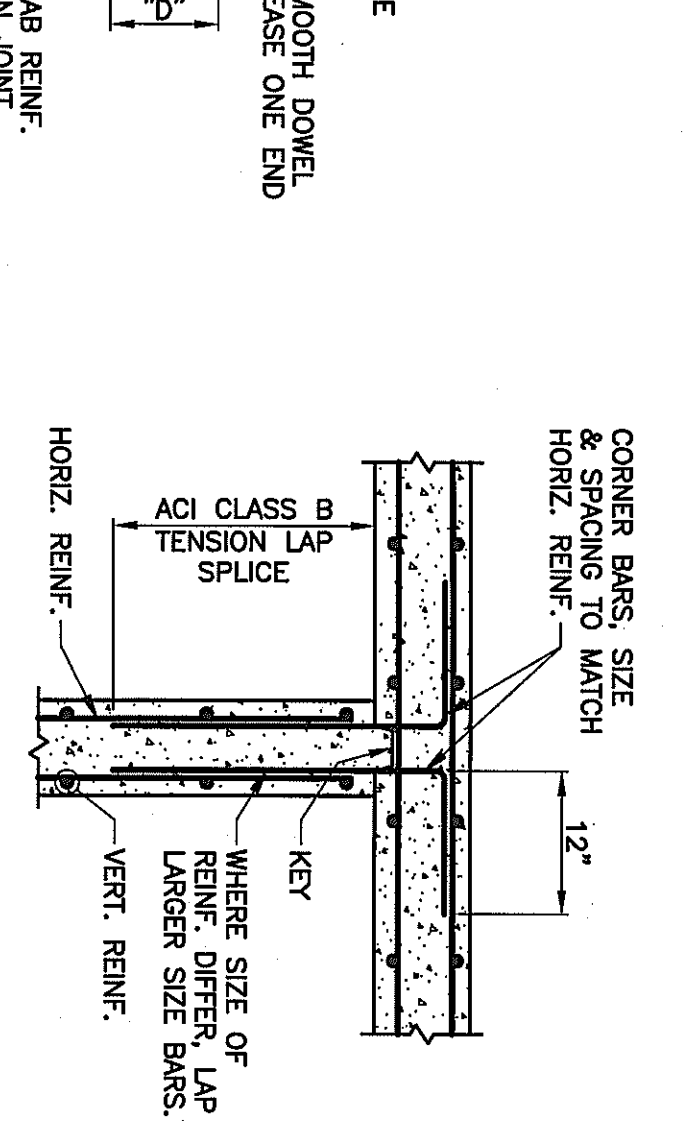
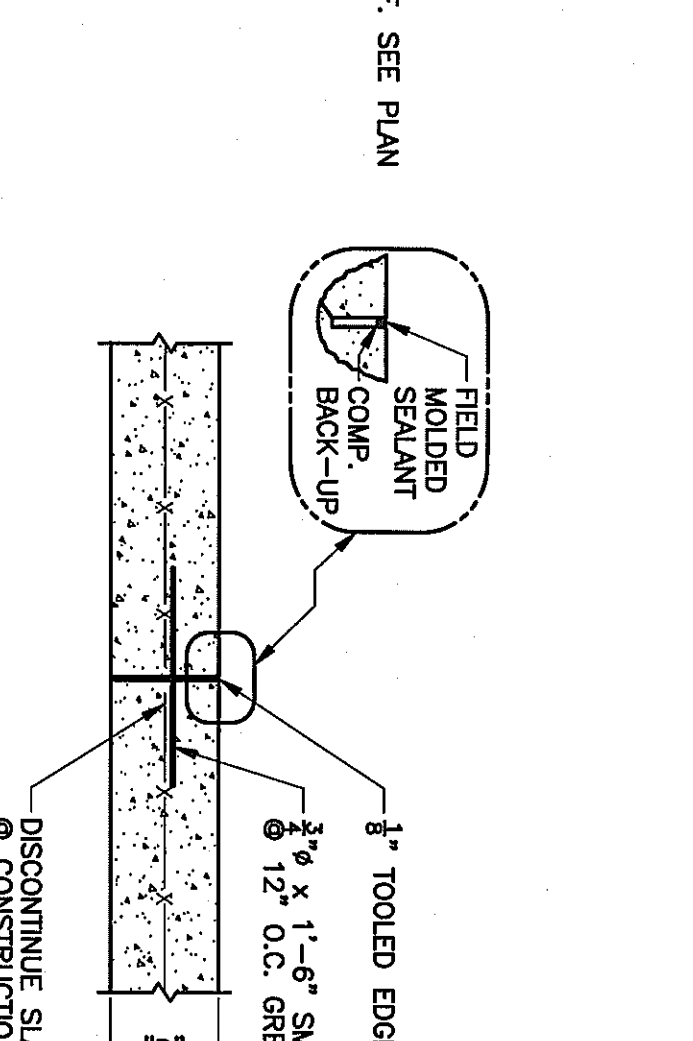
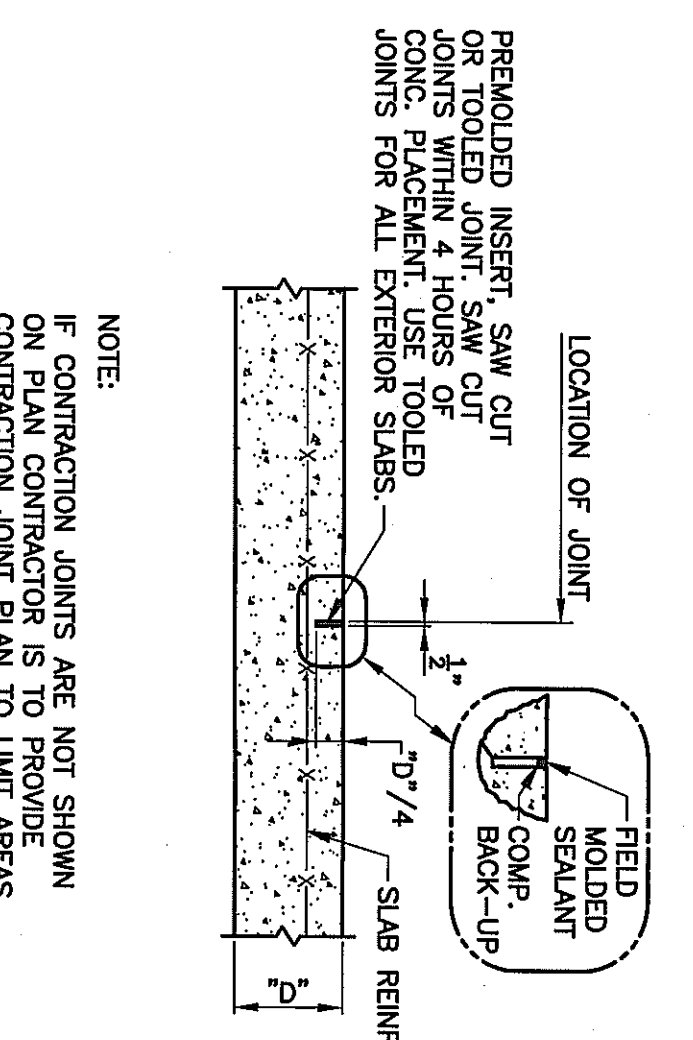
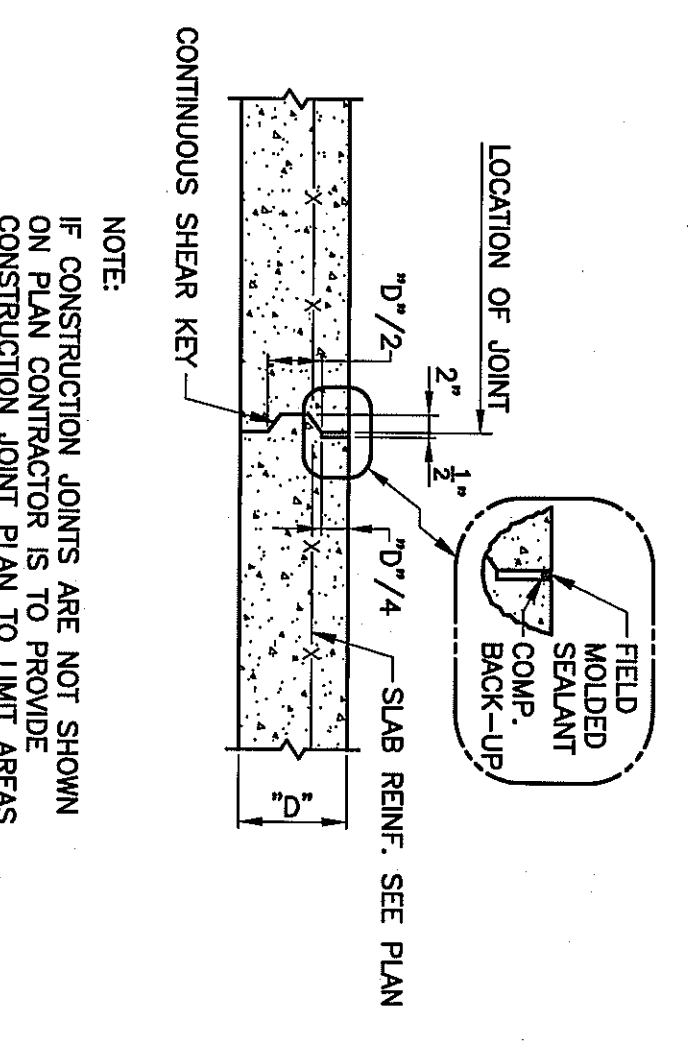
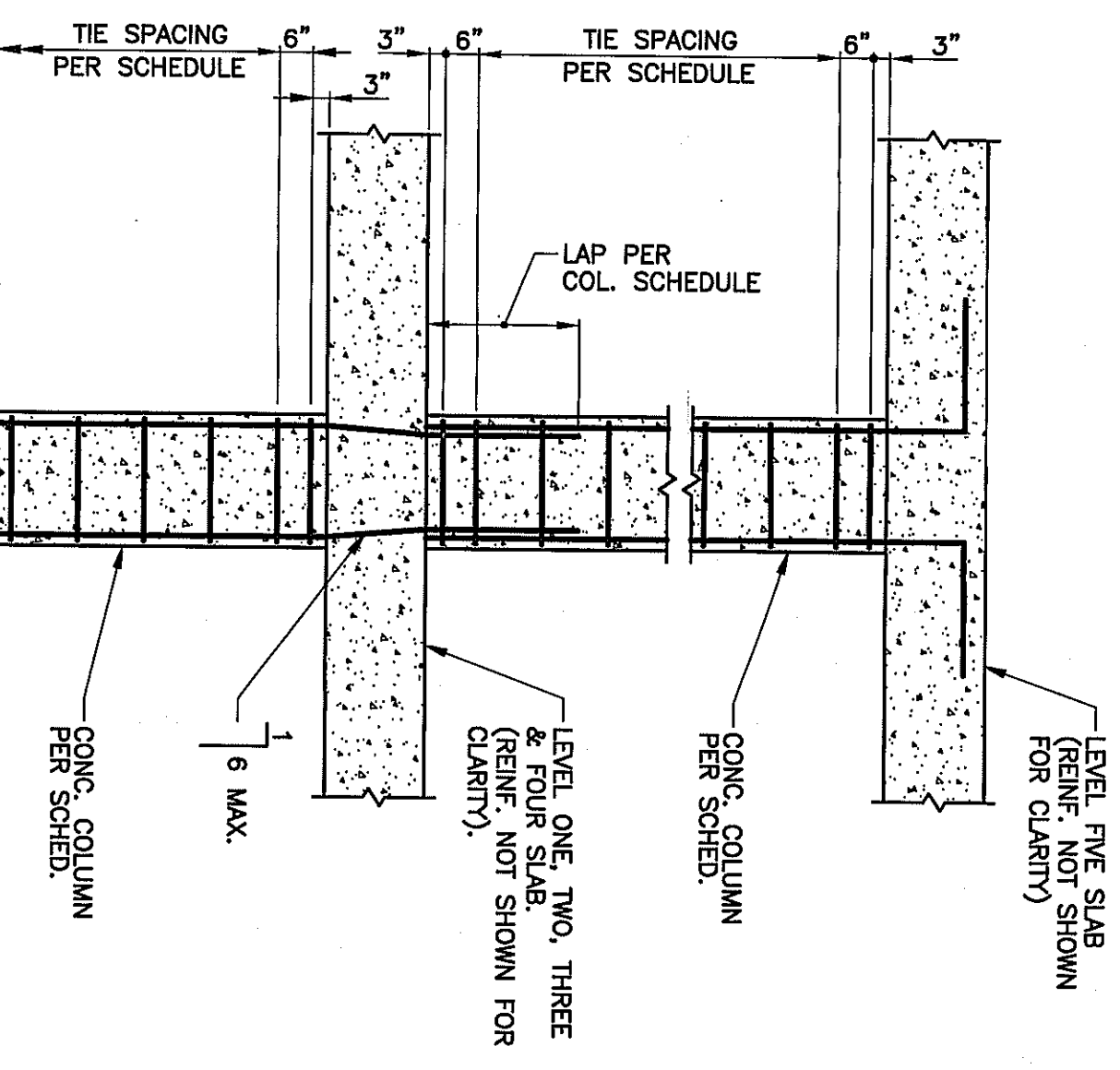
TYPICAL COLUMN BASE DETAIL "1"



TYPICAL THICKENED CONCRETE SLAB ON GRADE AT CONCRETE MASONRY PARTITIONS DETAIL

TYPICAL SPREAD FOOTING DETAIL

TYPICAL CONSTRUCTION JOINT AT FRAMED SLAB DETAIL



TYPICAL CONCRETE COLUMN DETAIL

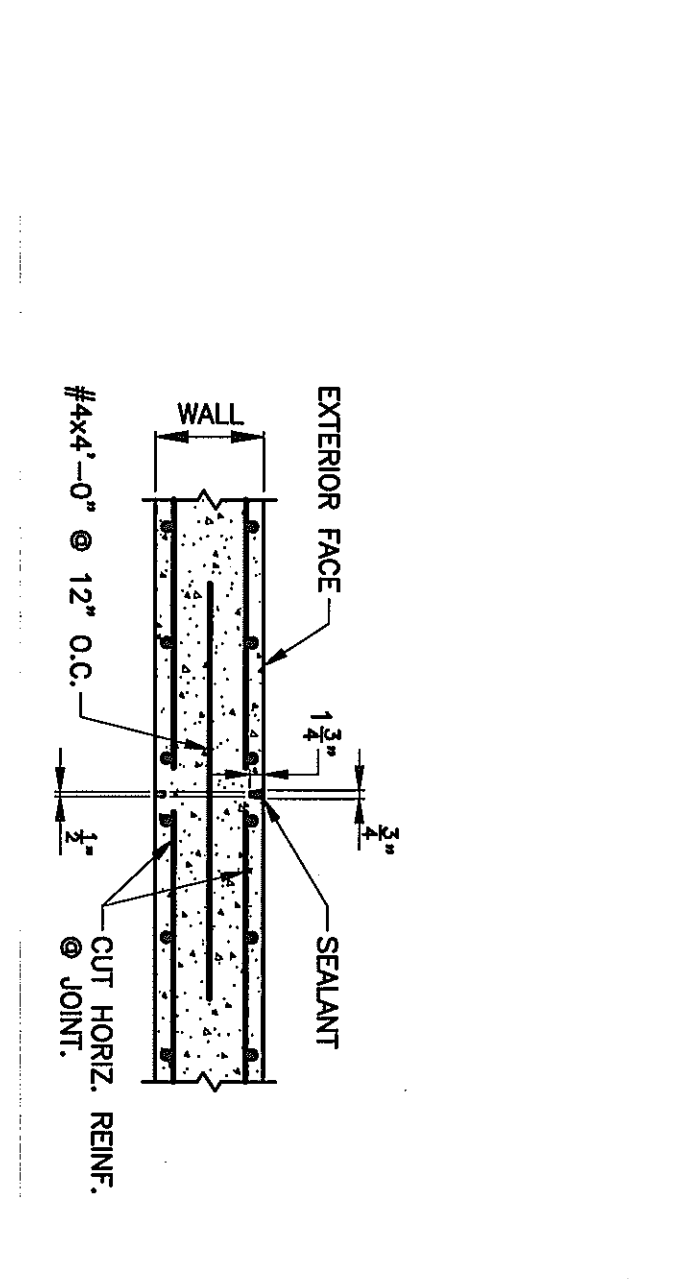
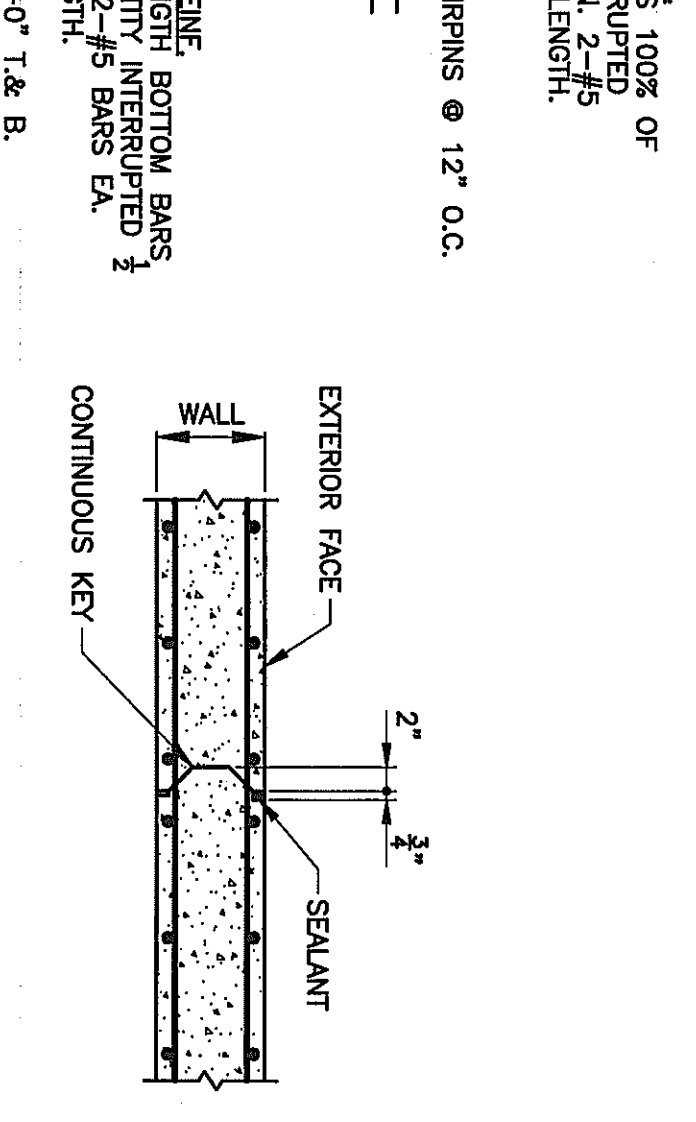
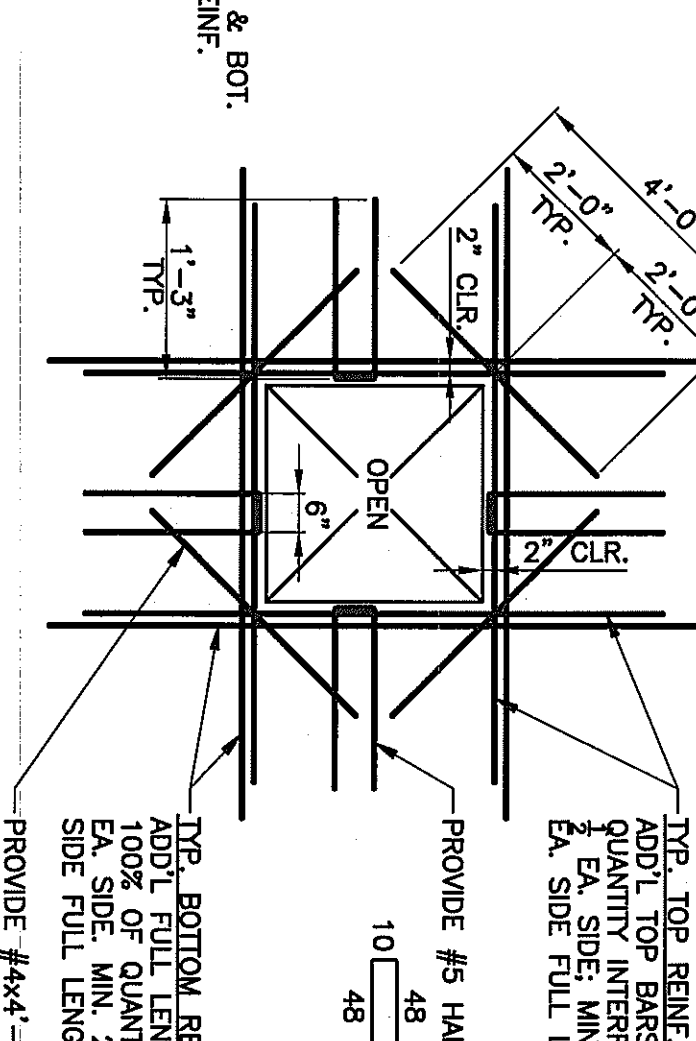
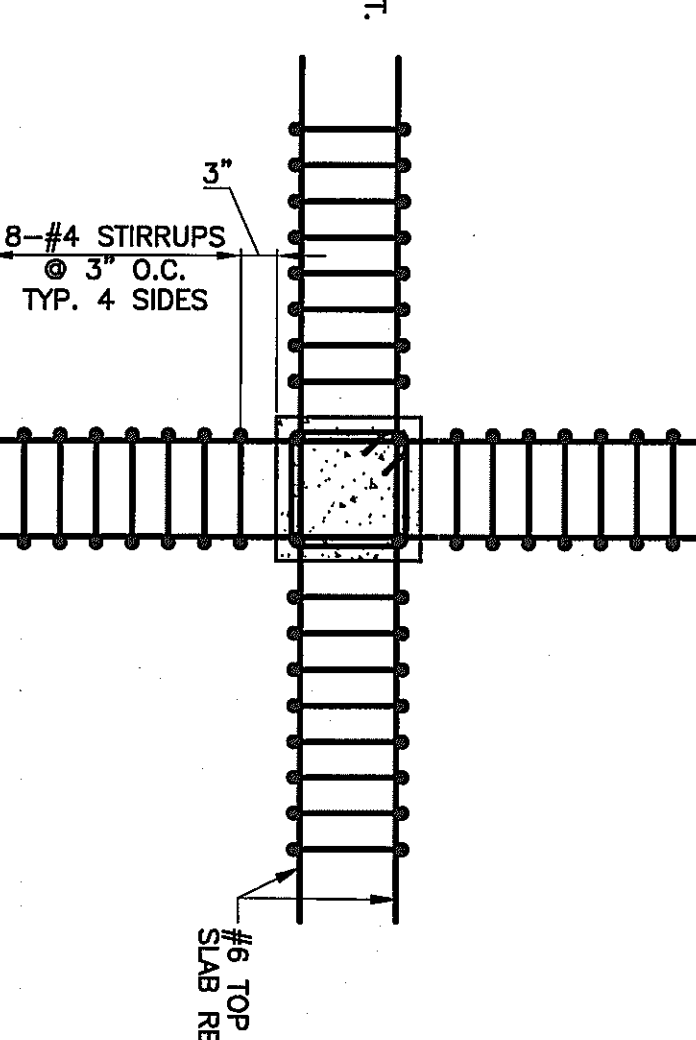
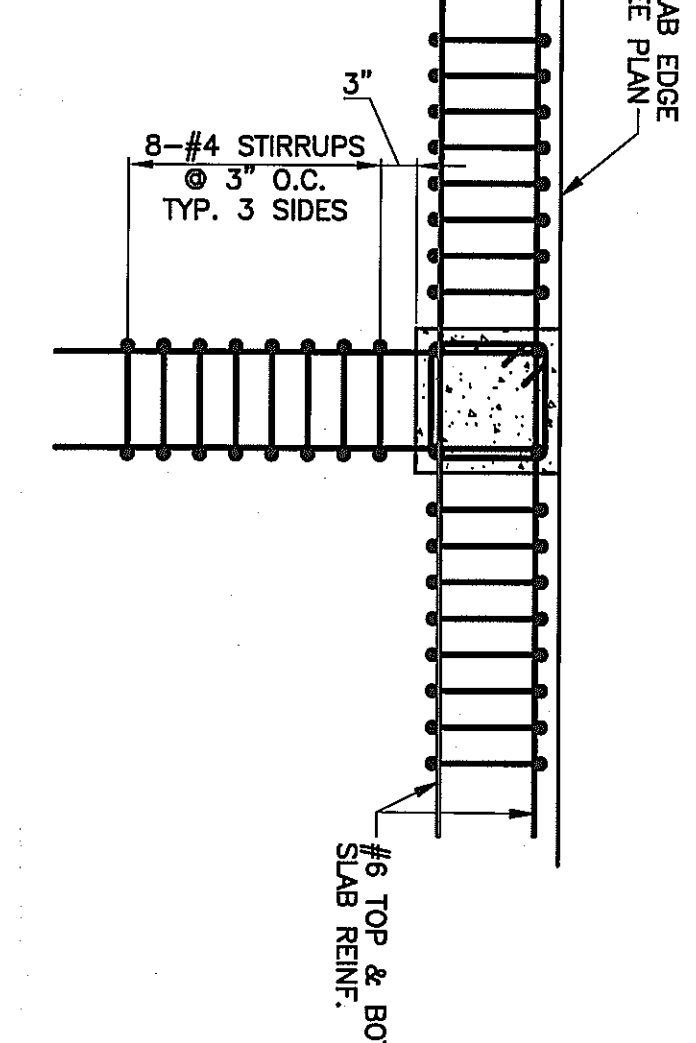
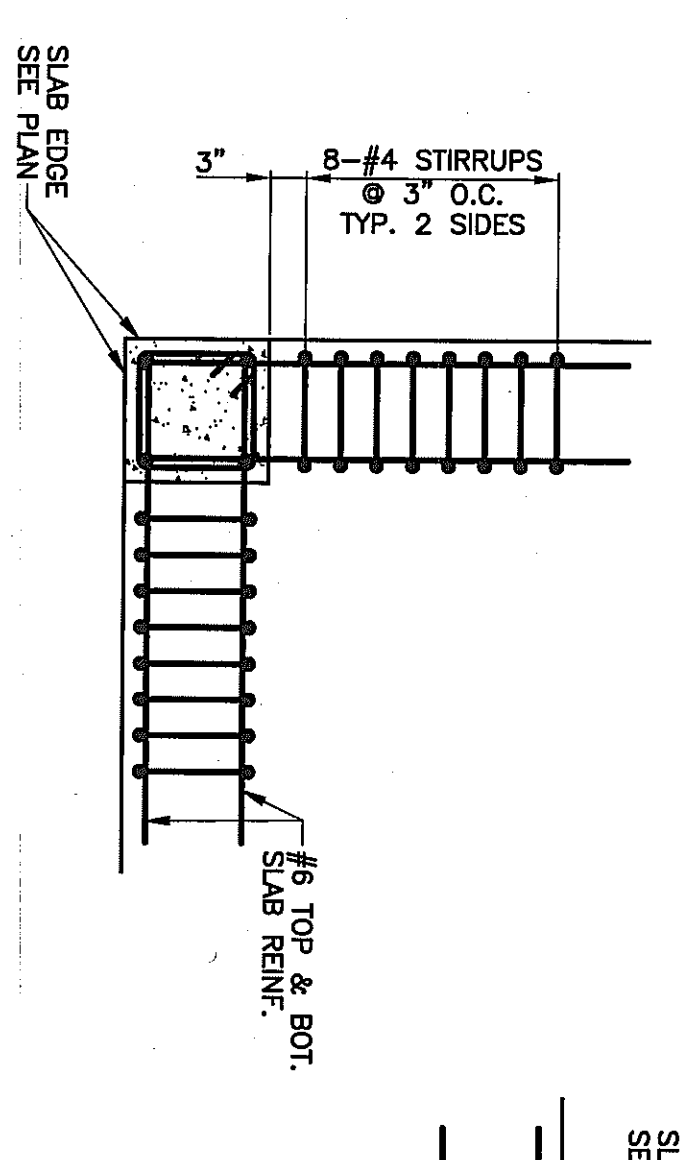
TYPICAL CONSTRUCTION JOINT IN SLAB ON GRADE DETAIL

TYPICAL CONSTRUCTION JOINT IN SLAB ON GRADE DETAIL

TYPICAL CONSTRUCTION JOINT IN SLAB ON GRADE DETAIL

TYPICAL CONCRETE WALL INTERSECTION DETAIL

TYPICAL CONCRETE WALL CORNER DETAIL



SHEARHEAD REINFORCING DETAIL A

SHEARHEAD REINFORCING DETAIL B

SHEARHEAD REINFORCING DETAIL C

TYPICAL FLAT SLAB OPENING REINFORCING DETAIL

TYPICAL CONSTRUCTION JOINT IN CONCRETE WALL DETAIL

TYPICAL CONSTRUCTION JOINT IN CONCRETE WALL DETAIL

THIS DRAWING HAS BEEN PRODUCED ON ATLANTIC ENGINEERING SERVICES CAD SYSTEM. ANY OTHER LETTERING, LINES OR SYMBOLS, OTHER THAN PROFESSIONAL STAMPS AND SIGNATURES, HAVE BEEN MADE WITHOUT THE AUTHORIZATION OF ATLANTIC ENGINEERING SERVICES AND ARE INVALID.

PROJECT NAME: WESTMORELAND COUNTY COMMUNITY COLLEGE CLASS A BURN BUILDING

OWNER: WESTMORELAND COUNTY COMMUNITY COLLEGE, YOUNGWOOD, PA 15687

PROFESSIONAL: ROBERT KIMBALL & ASSOCIATES, ARCHITECTS AND ENGINEERS, INC.

DATE: 05/02/07

MARK: RSB

PROJECT NO: 07-2200-0175

CAD DWG FILE: B1S

DRAWN BY: RSB

CHECKED BY: RSB

© L. Robert Kimball & Associates, Architects and Engineers, Inc.

SHEET TITLE: COLUMN SCHEDULE AND TYPICAL DETAILS

S3.00

